

CARPORTS AND OUTDOORS



ADD LUXURY TO YOUR HOME

PATIO INSTALLATION



Check all packages carefully before opening for any damage. If damaged, please do not open and take a photo & send us an email with as many details as possible. If all good, read the package stickers to make sure you received the correct product in requested colour.

If all of the above is correct, please open all the packages & place all the items on the floor to check the quantity before starting the installation.

Requirement for installation: Appropriate step ladders, drill machine with required drill bits, angle grinder or saw to cut the post if needed, measuring tape

Measure the area and make the necessary markings

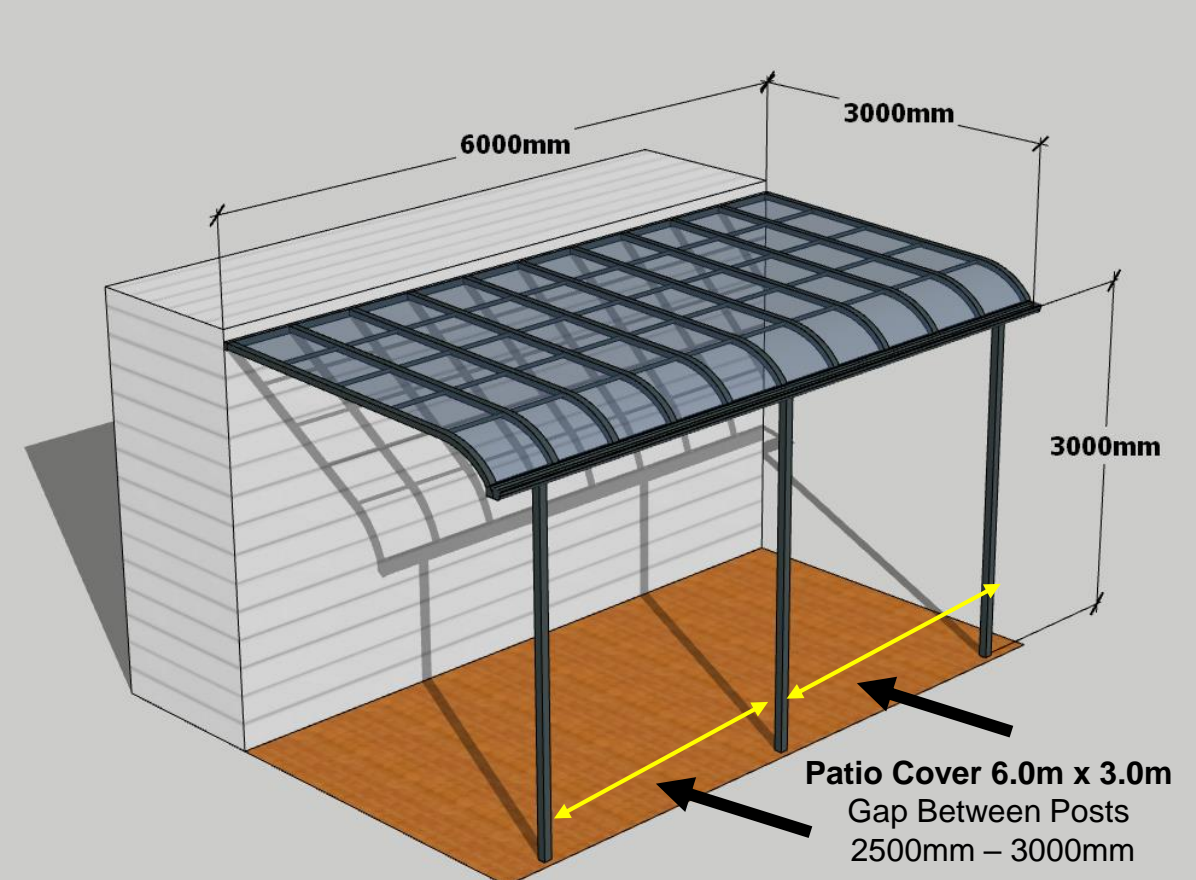
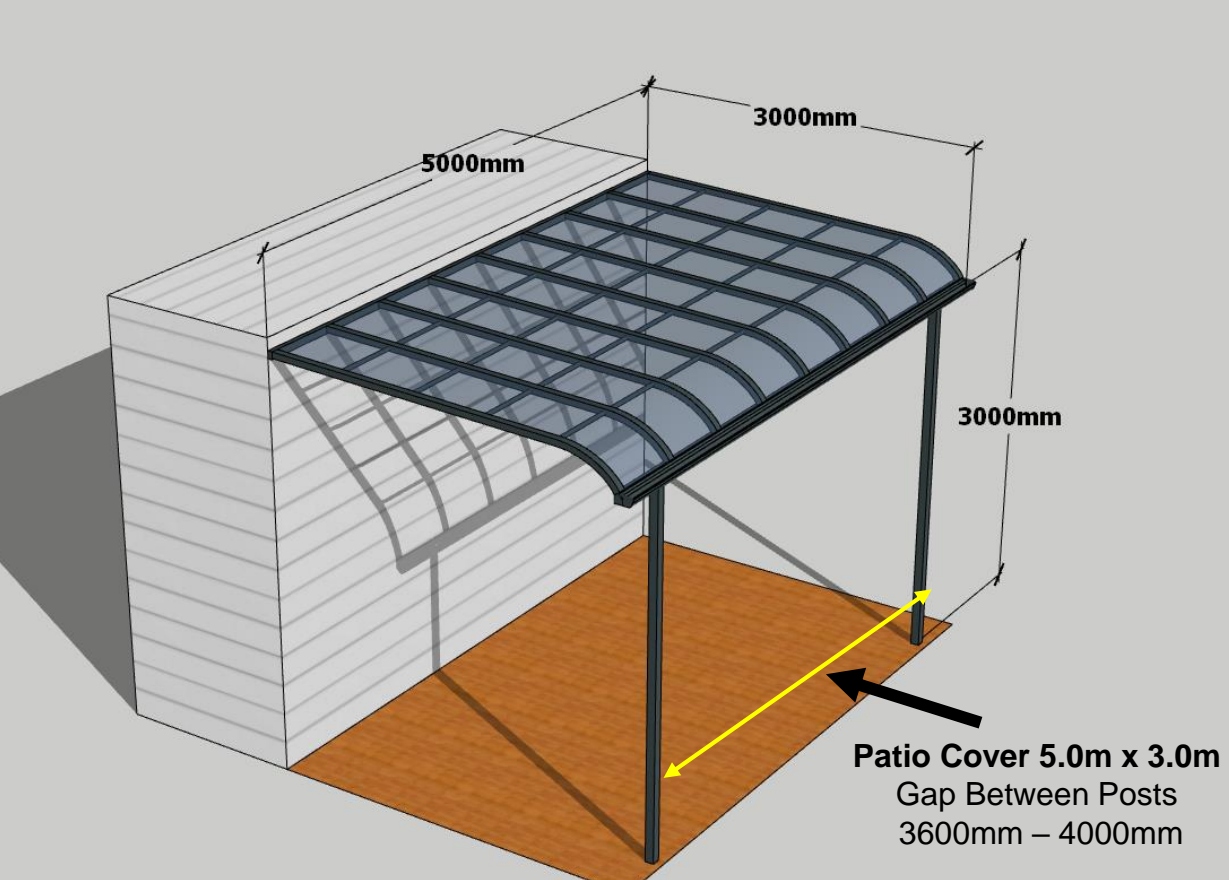
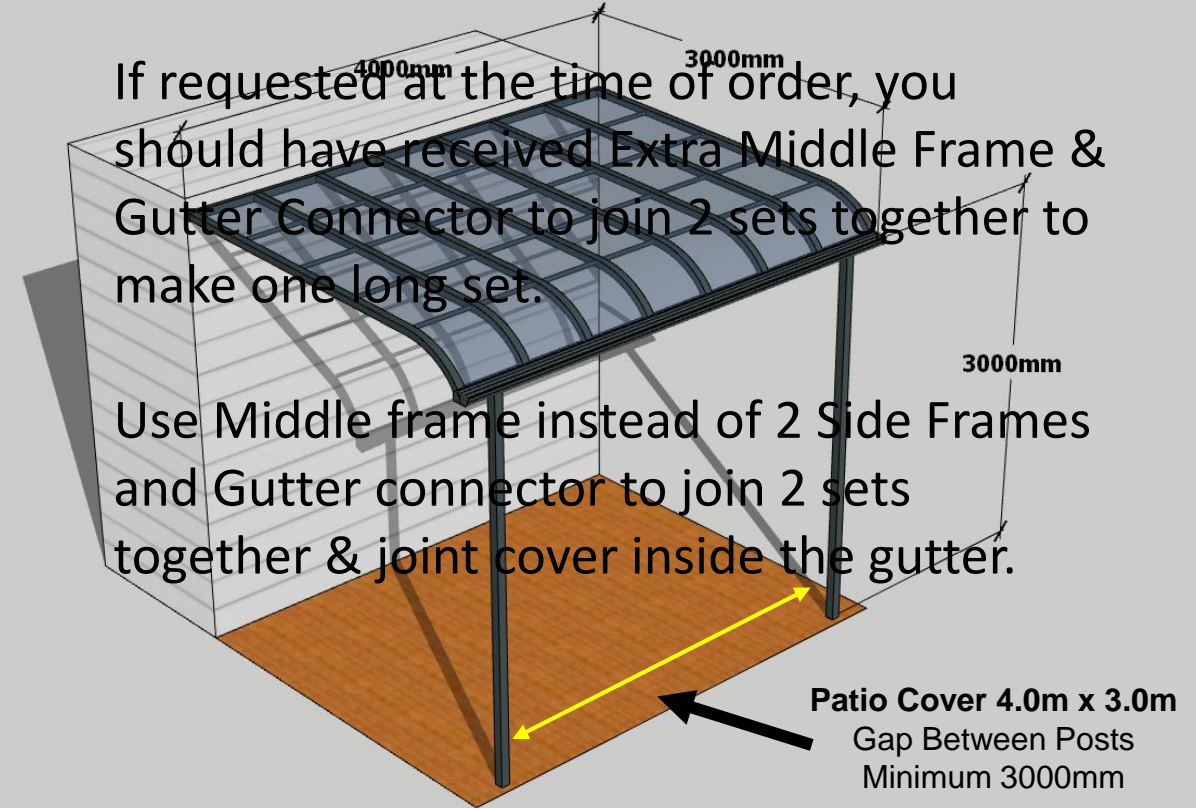
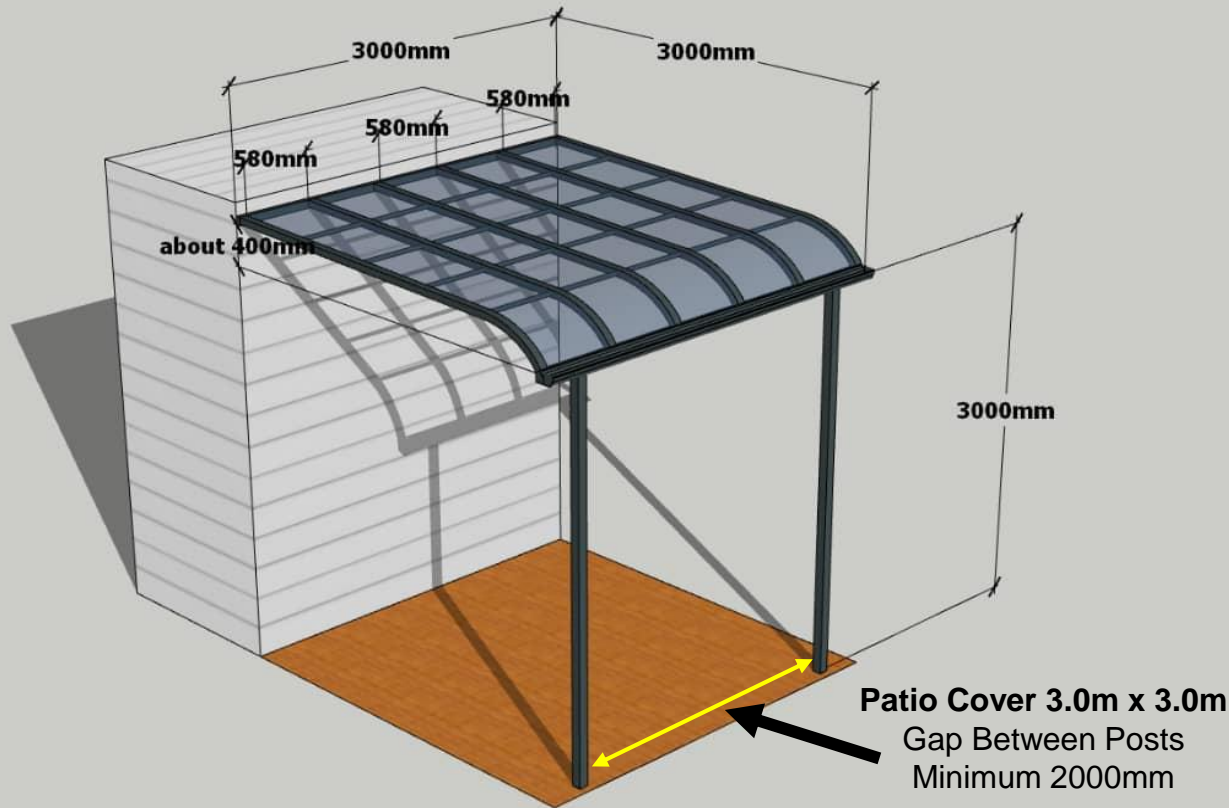
Note: You must do the installation work in a team. Minimum 2 adults required for installation. For your safety please work in another adult's presence.

If unsure, please take professional advice or help for installation.

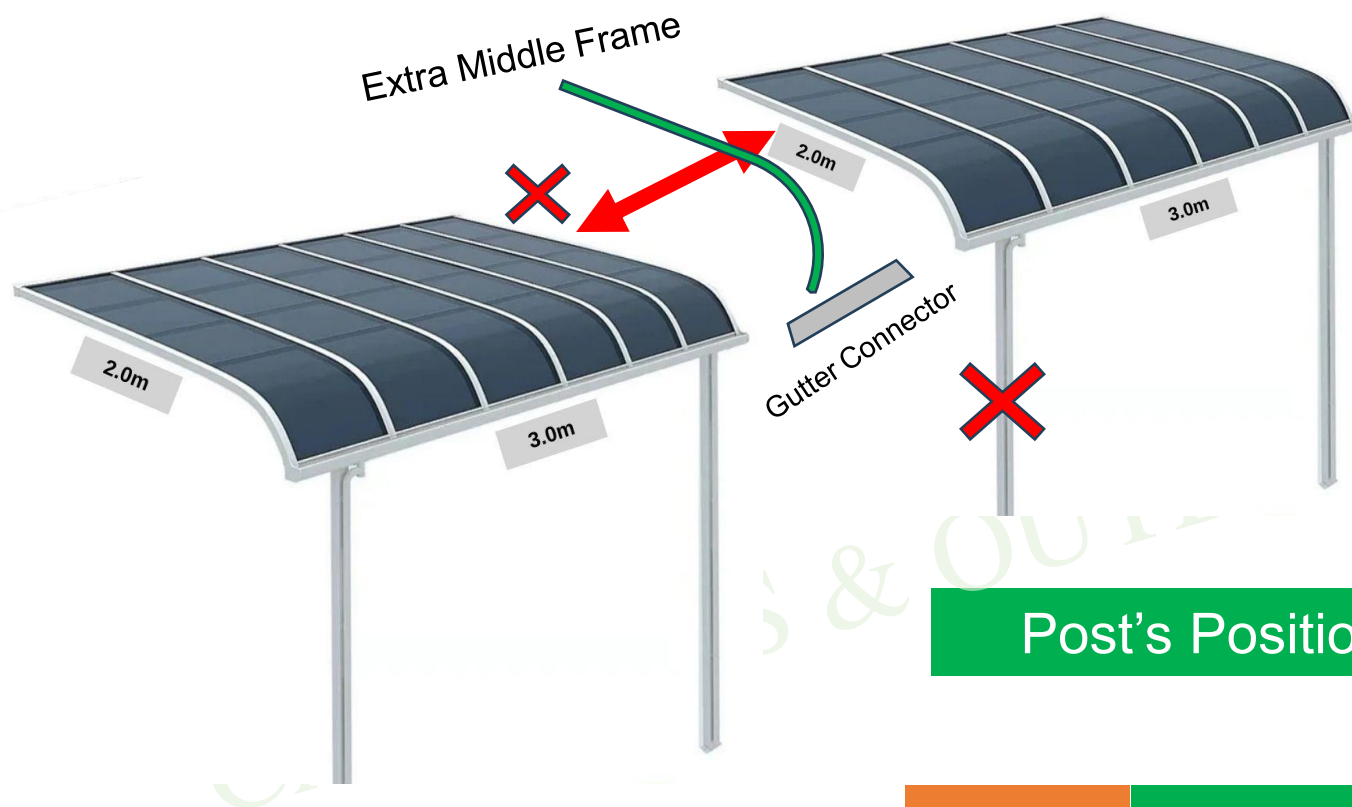
On to the next page....

Suggested Gap between the posts.

Installing 2 or more sets together:



Maximum Gap between 2 posts 4000mm



2 Sets of 3.0m x 2.0m make 6.0m x 2.0m

Use Middle frame instead of 2 Side Frames and Gutter connector to join 2 sets together & joint cover inside the gutter.

Post's Positions for Patio Covers – up to 5.0m 2 Posts

6.0m (3 Posts)



7.0m (3 Posts)



8.0m (4 Posts)



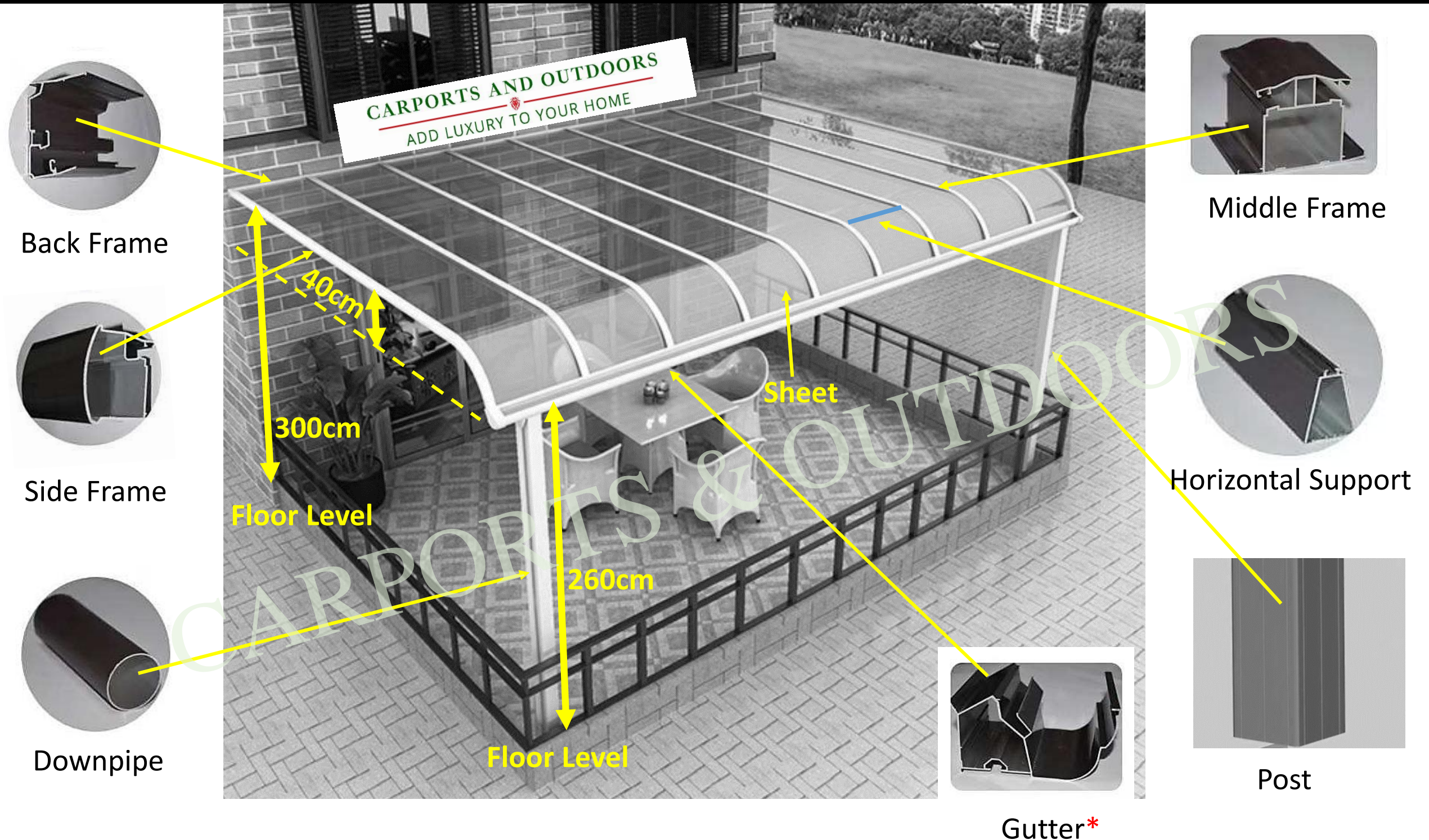
9.0m (4 Posts)



Approximate positions

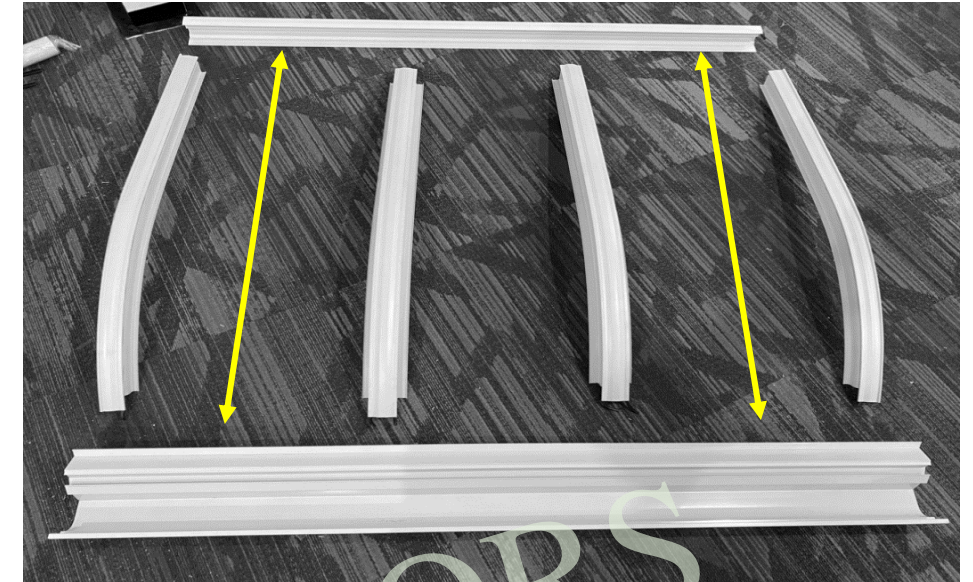
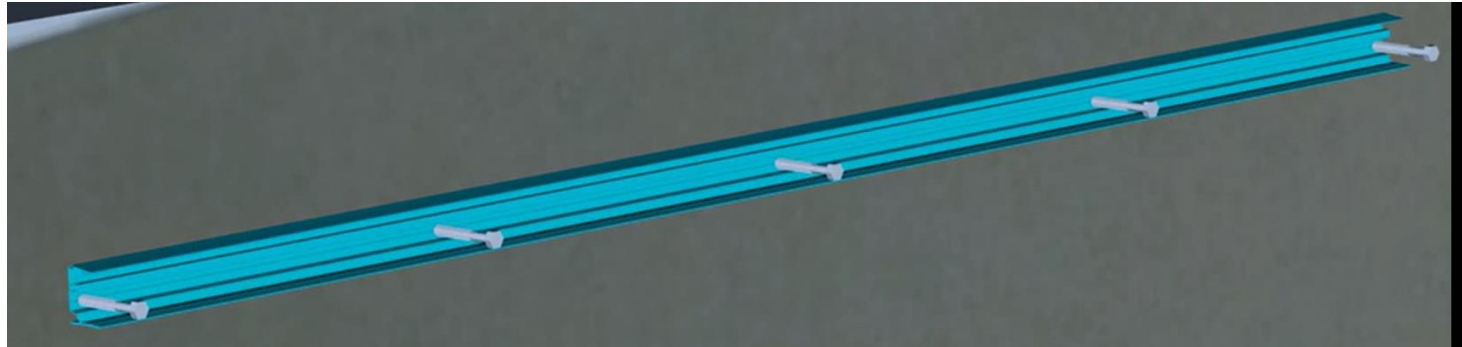
Important Information

Posts need to be cut 30-40cm short from the bottom line of the Back Frame as the Bullnose curve covers approximately that much space. As an example, if you have 300cm clearance below the Back Frame then post height should be 260cm – 270cm to achieve good water flow to the gutter. Depending on the floor level.

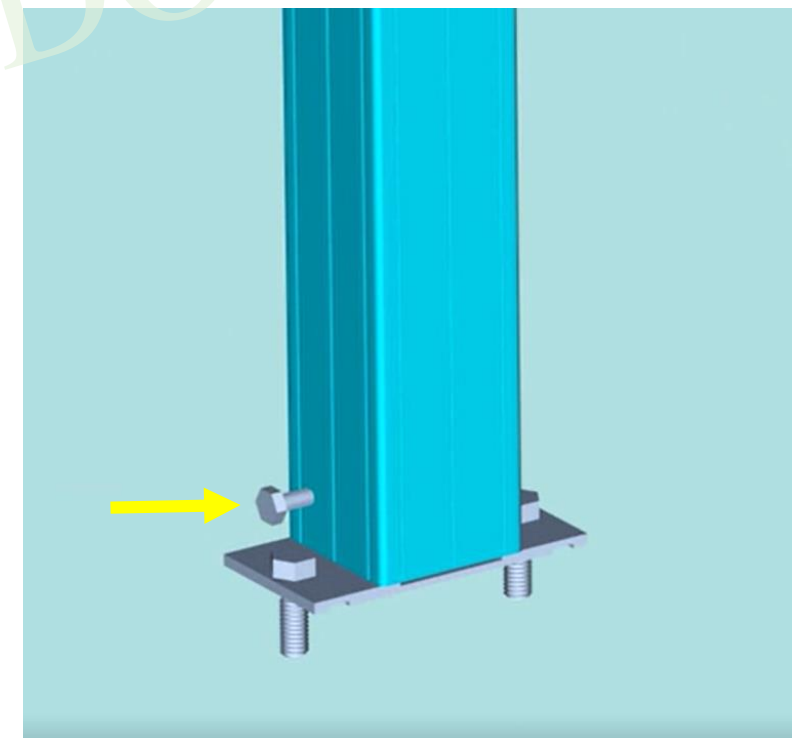
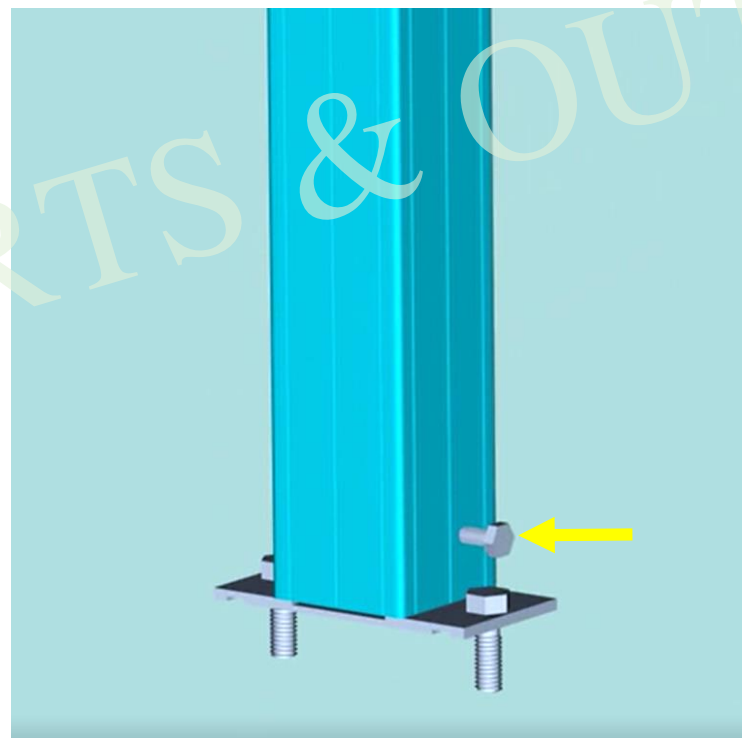


*More than 3.0m length - Gutter cut into half for safe transportation. Please use Aluminium Gutter connector & screws underneath to connect. More info on Page 6

Place the Back Frame, Middle Frame & the Gutter on the floor to mark the exact position for the posts



Install The Back Frame by punching 10mm holes in the middle of the Back frame at a gap of 50cm between each hole.



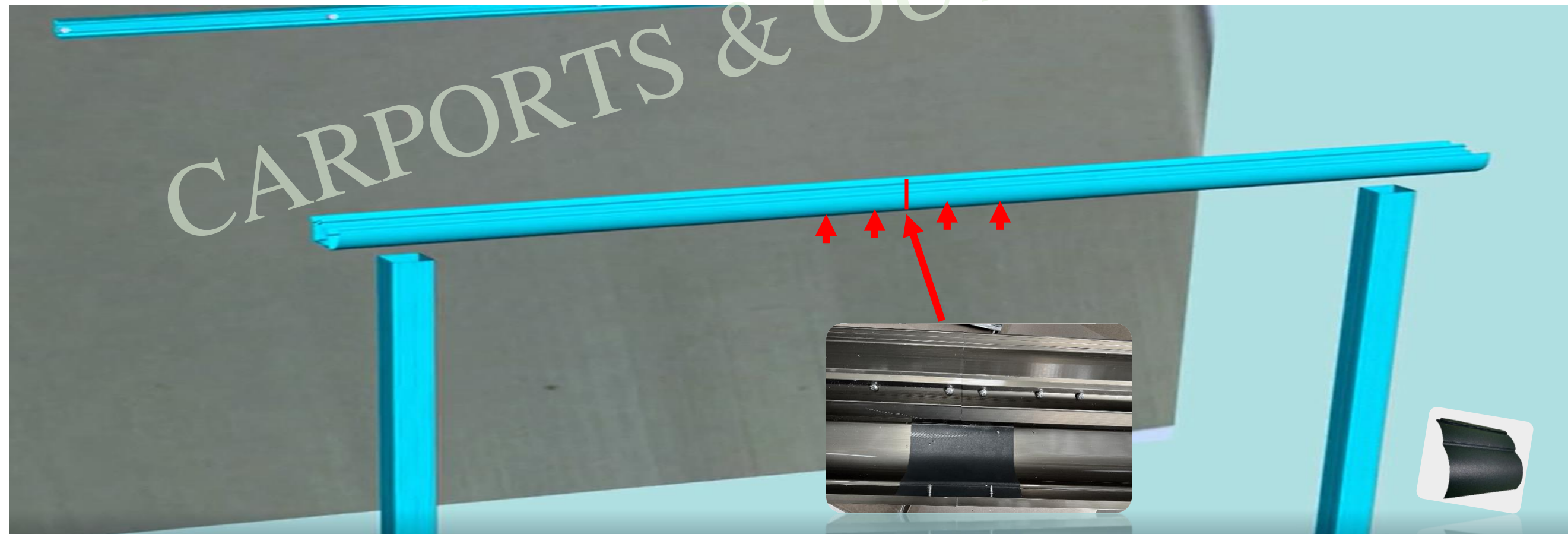
Install the Base Plate/Bracket, then slide the posts on the base and secure with bolts on both sides.



Installed Posts

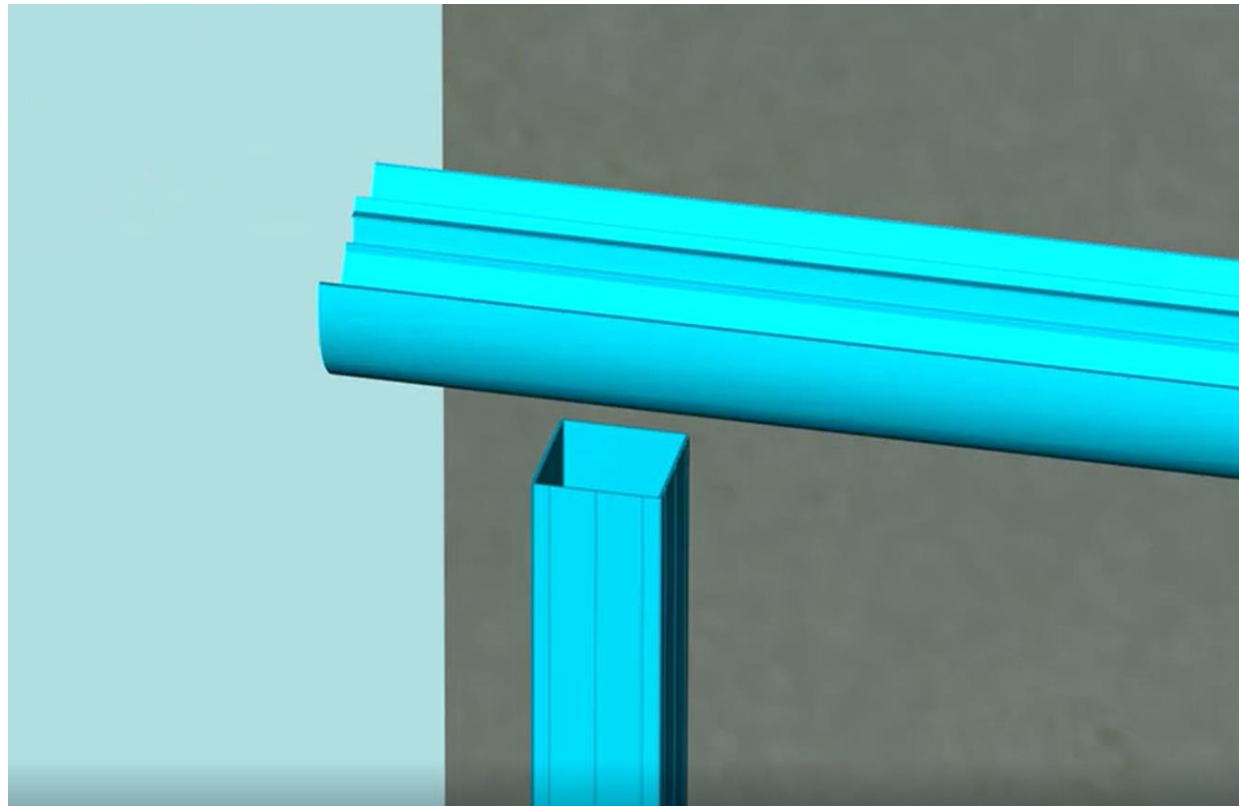


Posts and Back Frame

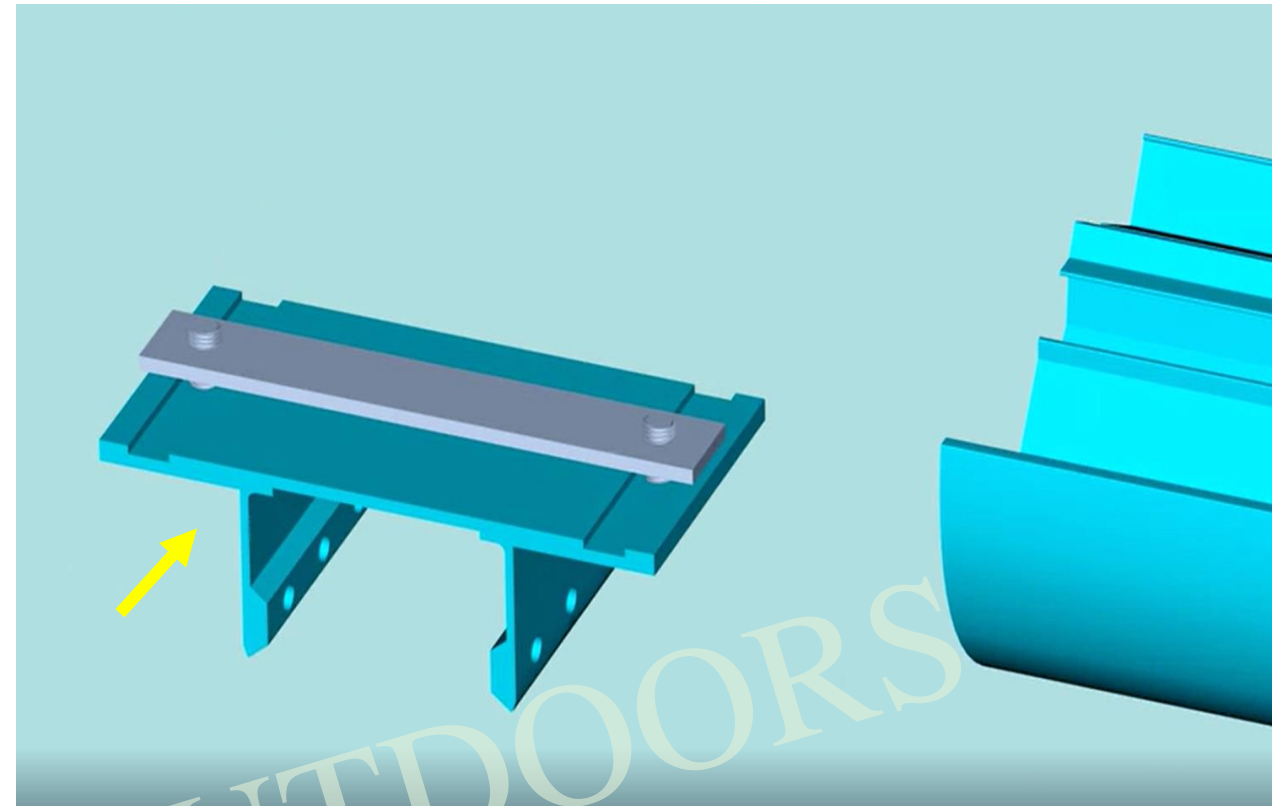


Installing The Gutter on the Posts

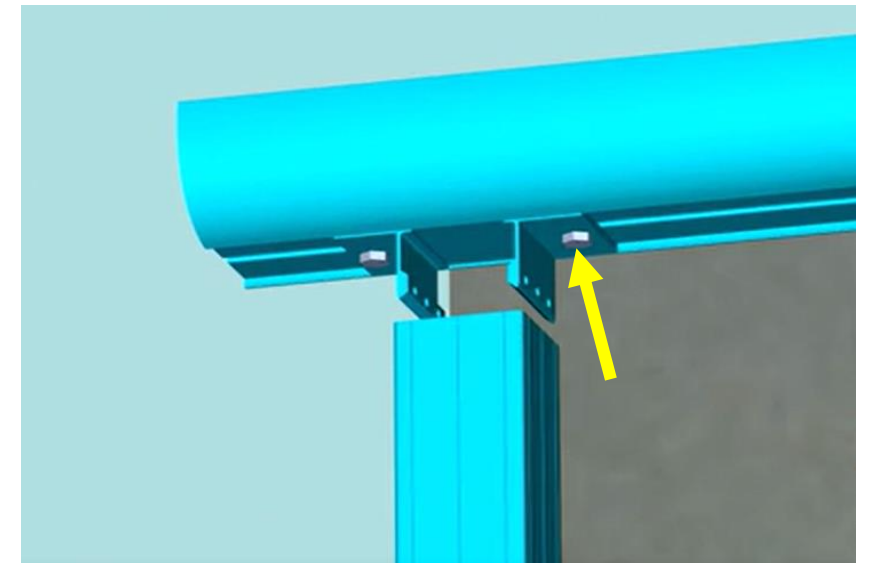
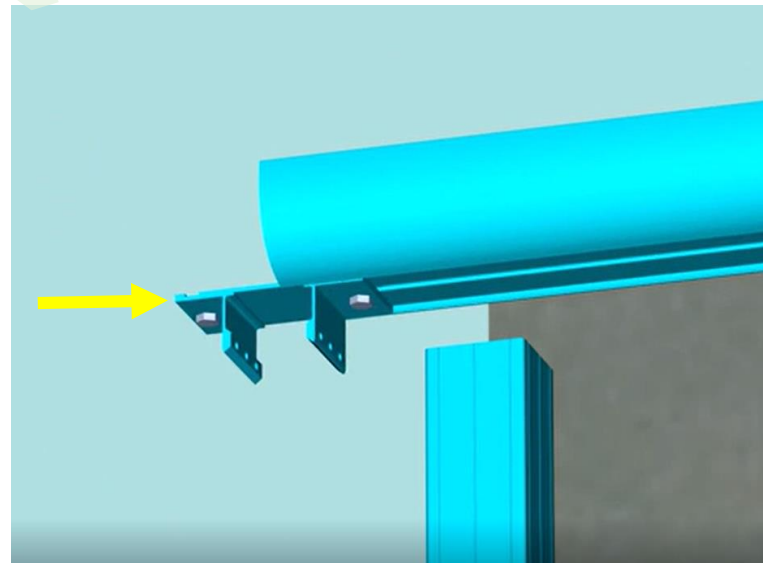
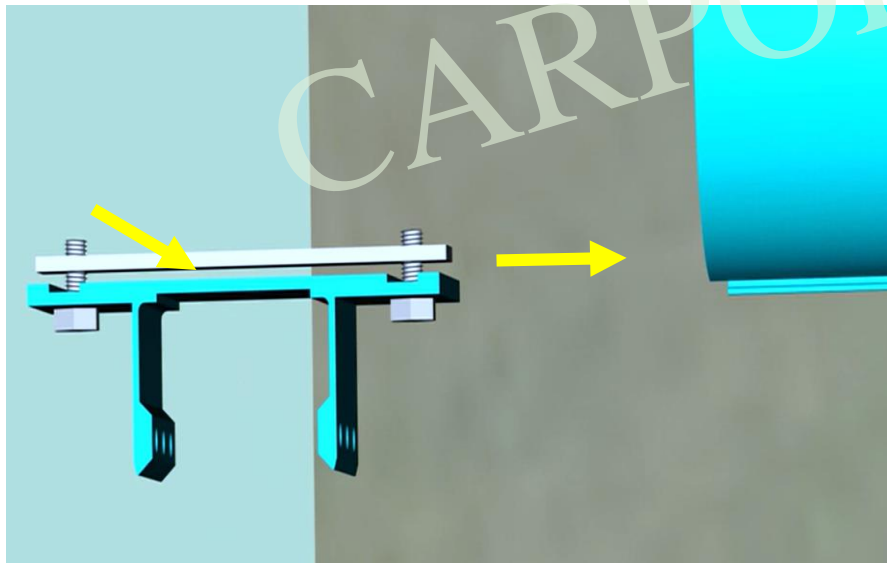
*More than 3.0m length - Gutter cut into half for safe transportation. Please use Aluminium Gutter connector & Joint Cover INSIDE with silicon and screws.



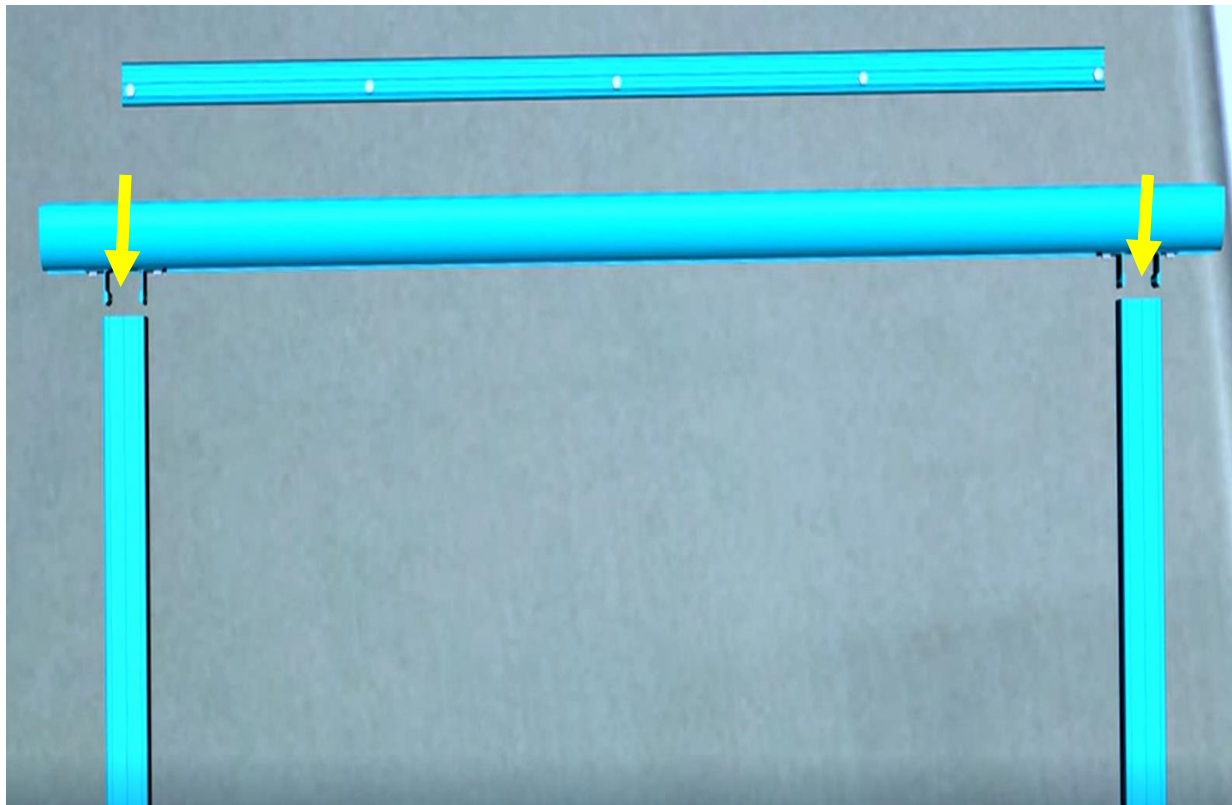
Post & Gutter



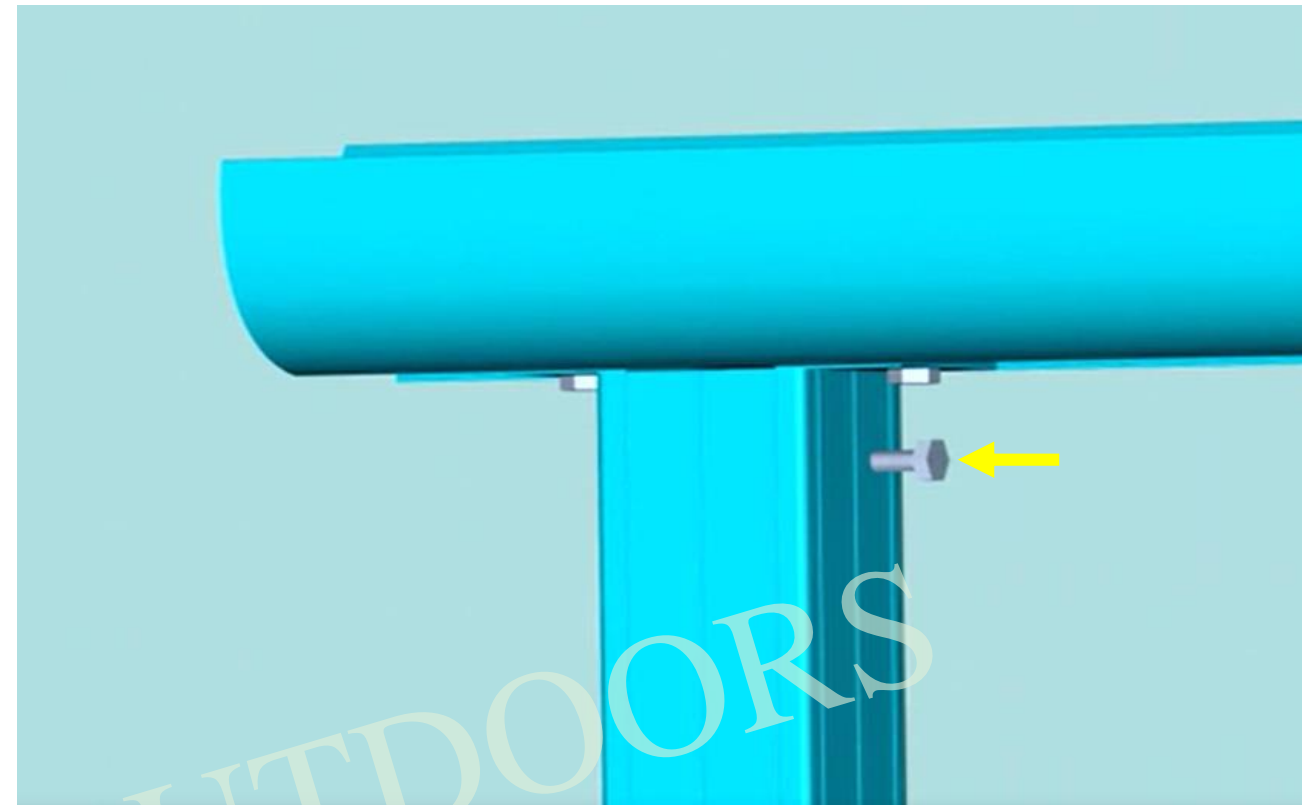
Upper Bracket & Gutter



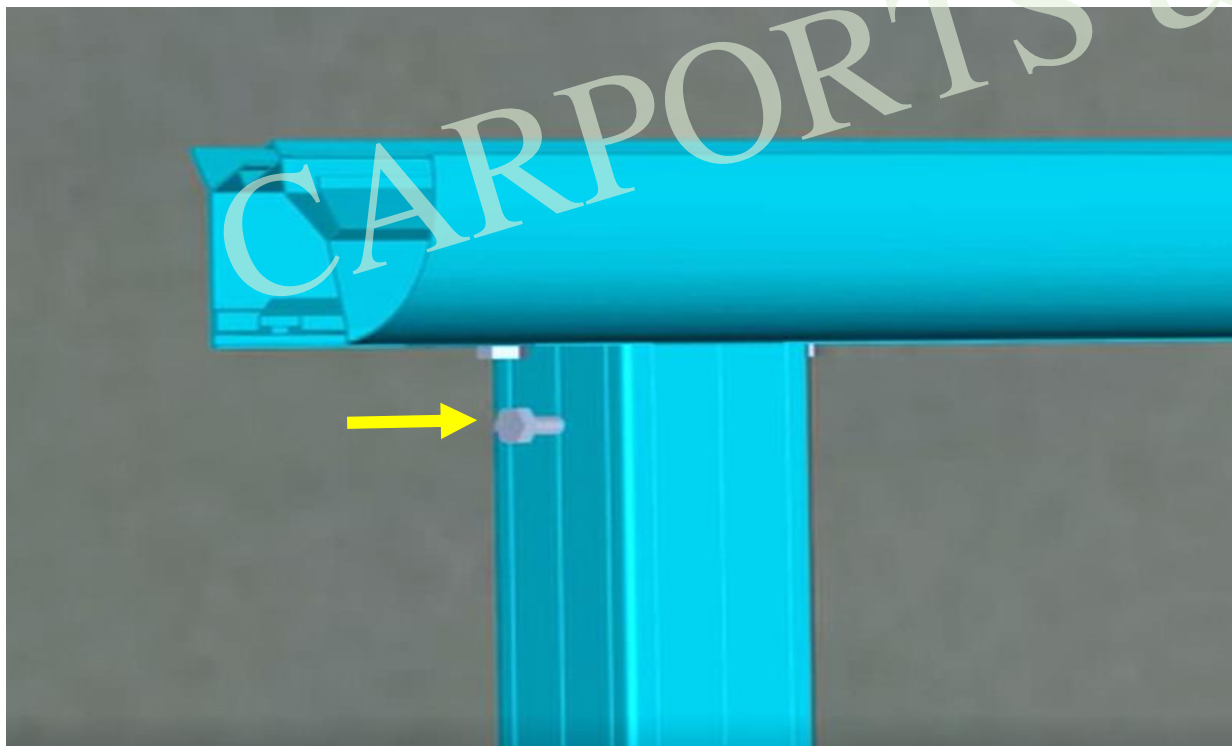
Adjust the required space in the plate and slide it into the groove underneath the Gutter.
Tighten the bolts



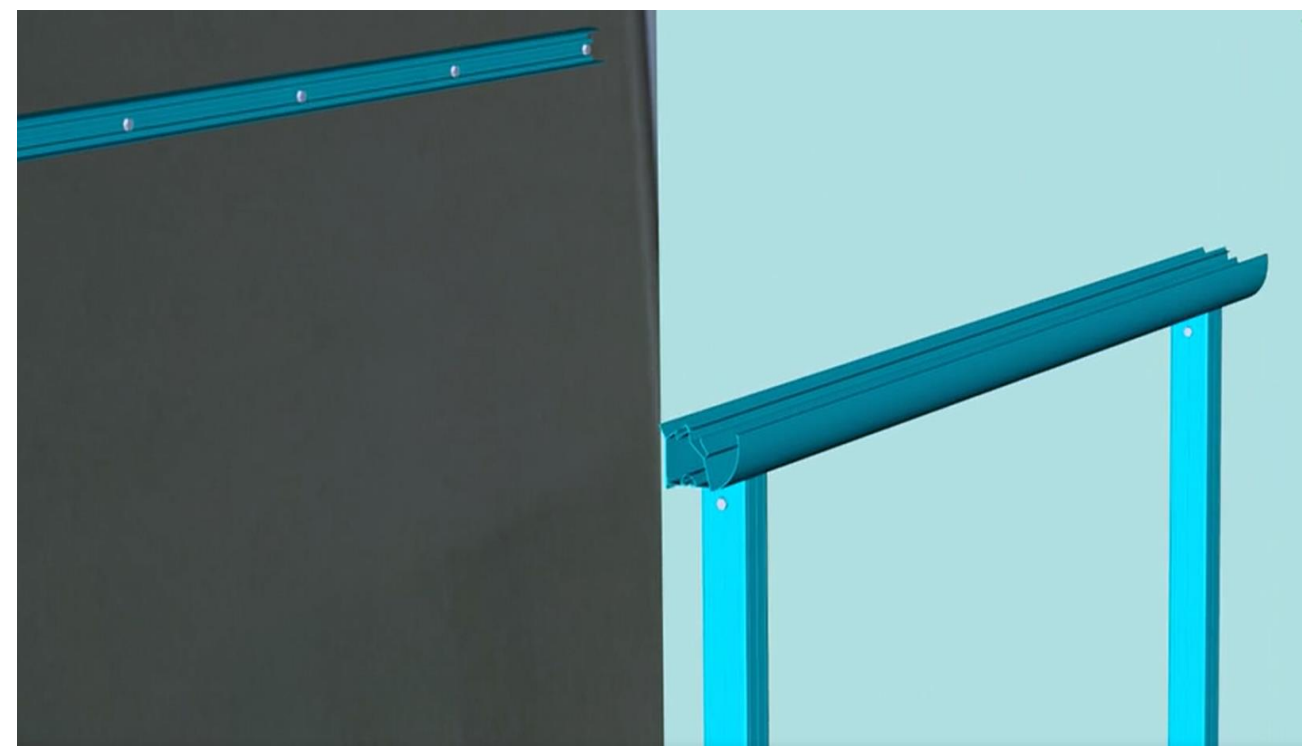
Slide the Upper Brackets in the posts



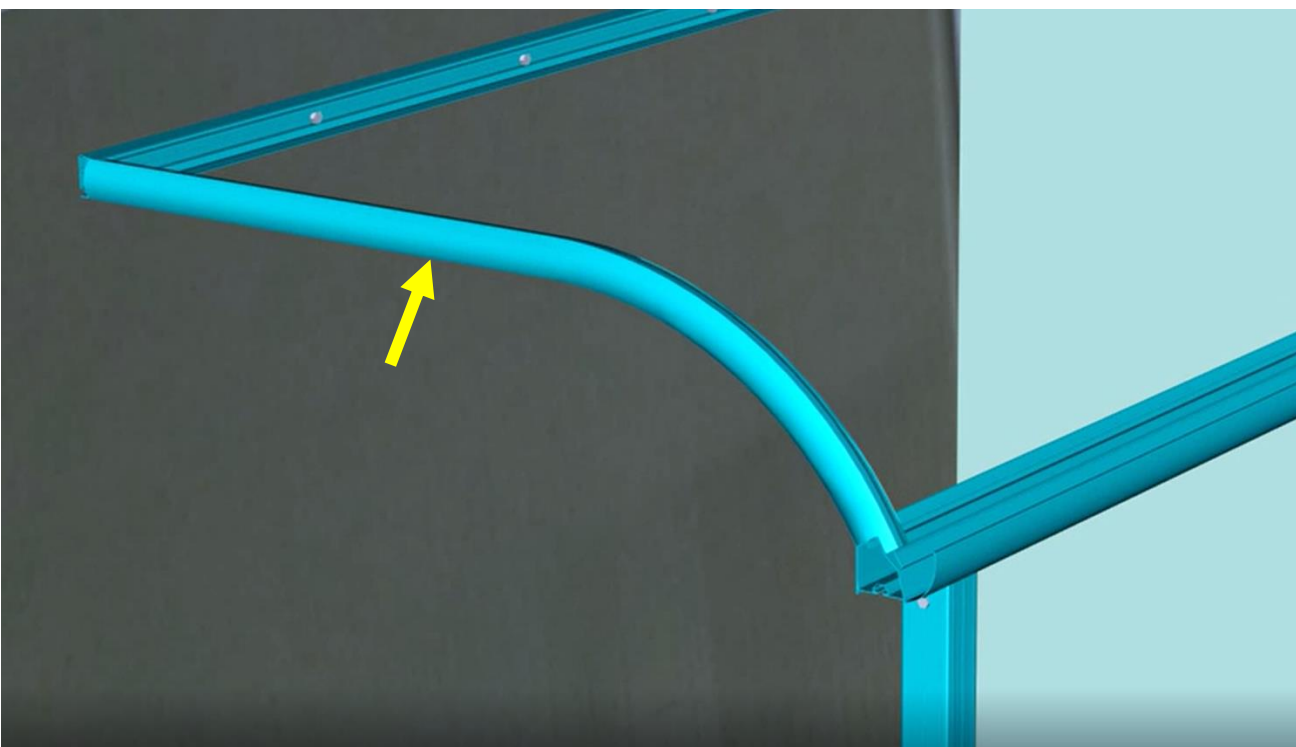
Secure the Post & Bracket with bolts on both sides



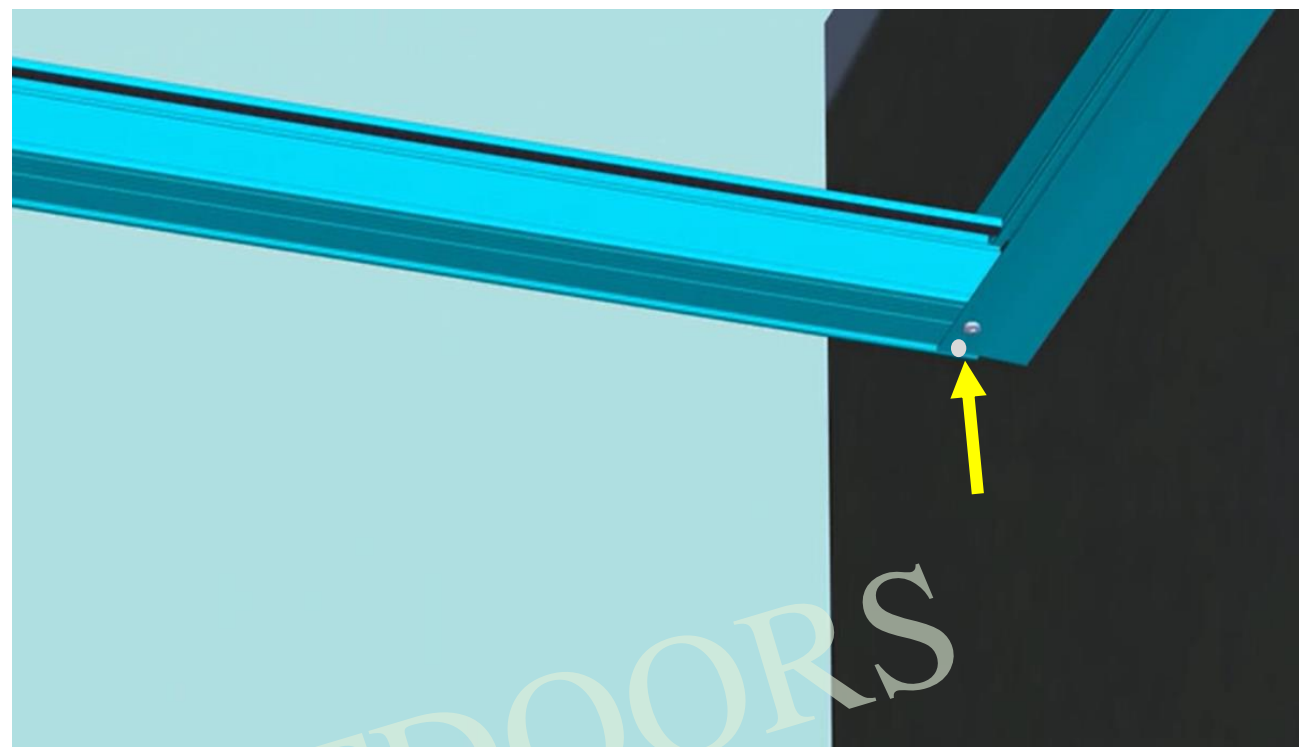
Secure the Post & Bracket with bolts on both sides



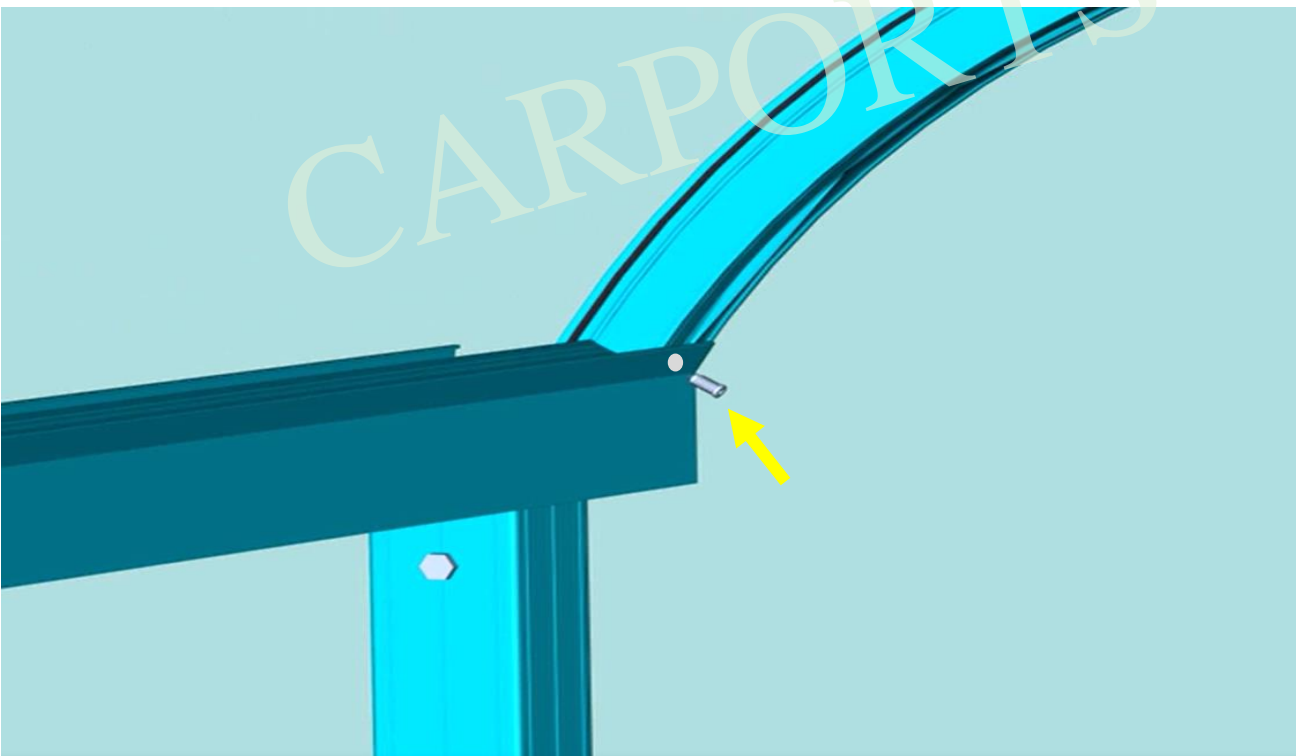
Gutter installed on Posts



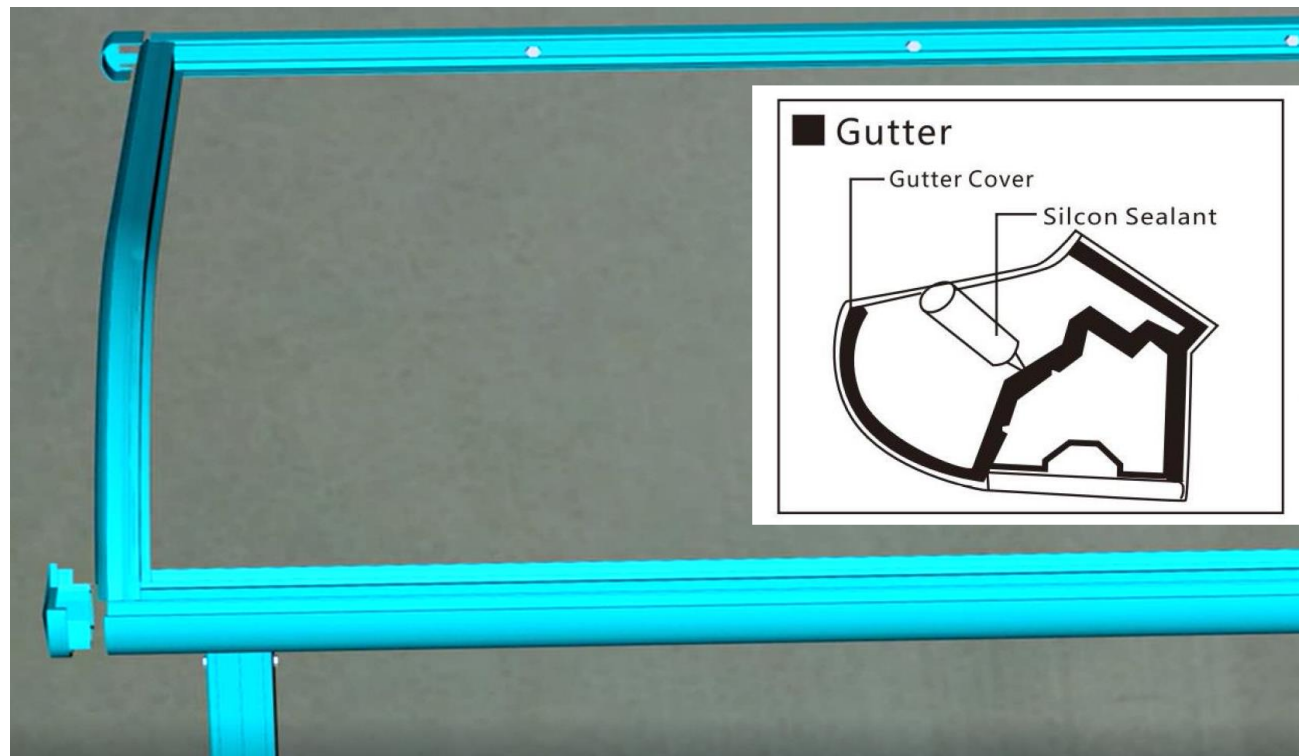
Side Frame Installation



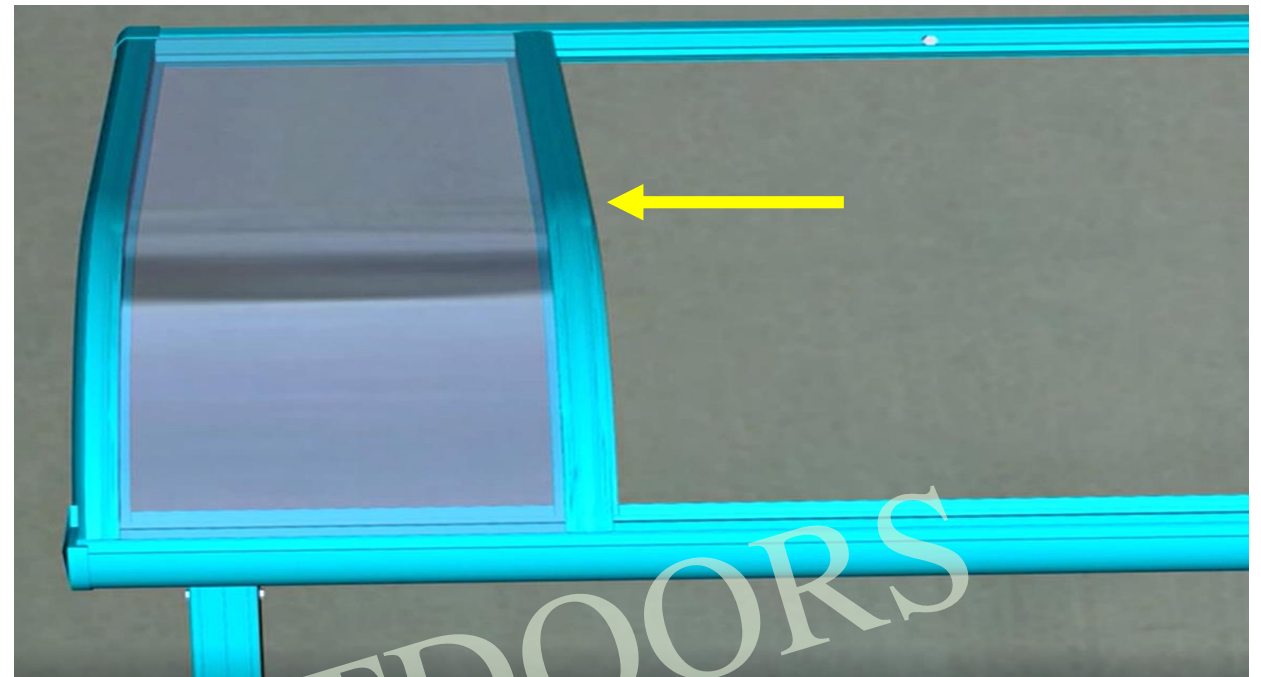
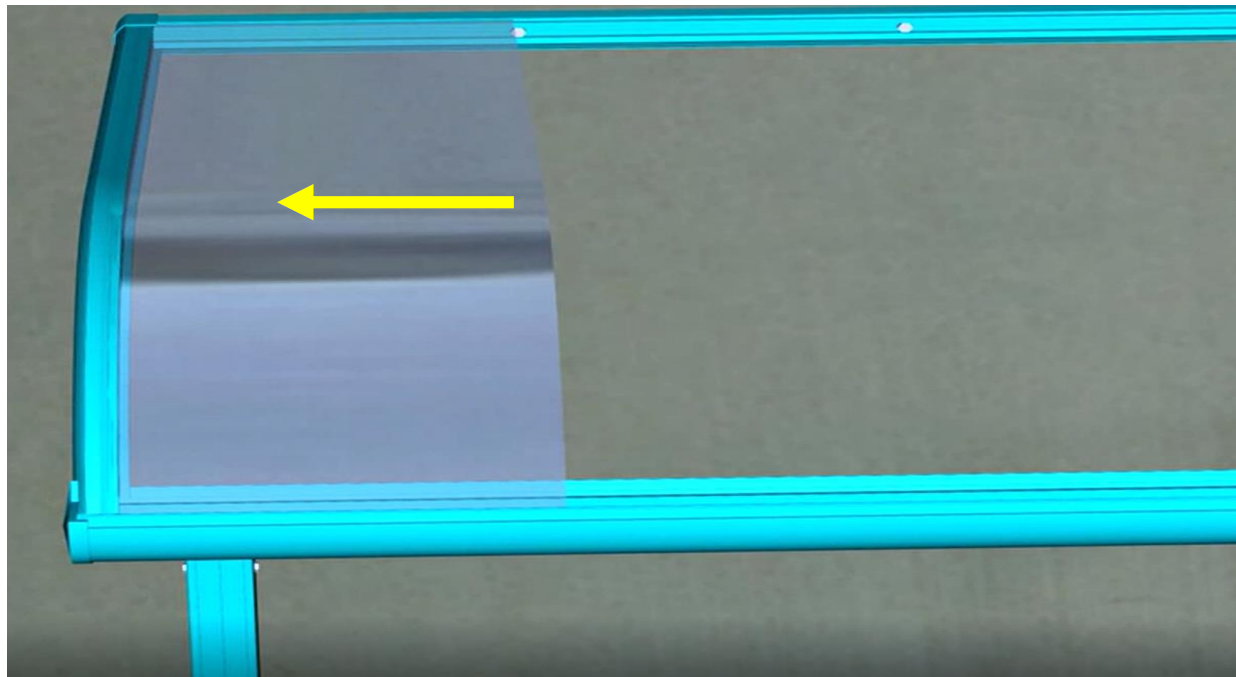
Secure the side frame with Self drill Screws x 2



Secure the side frame with Self drill Screws x 2,
Gutter Side view

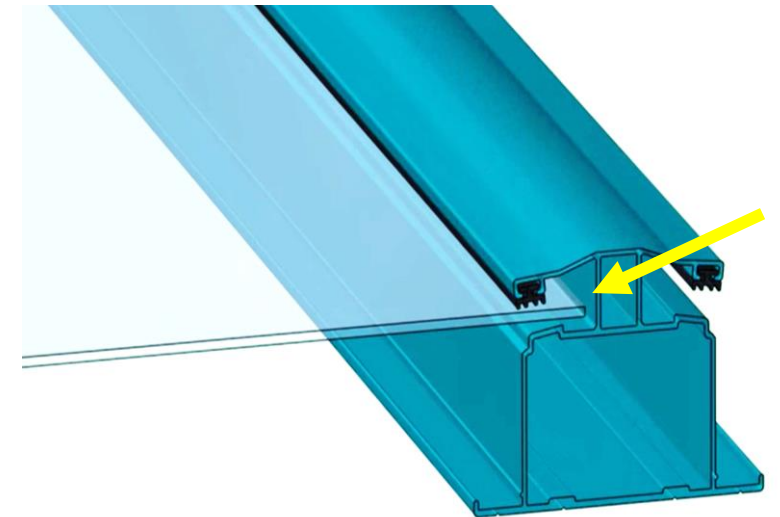
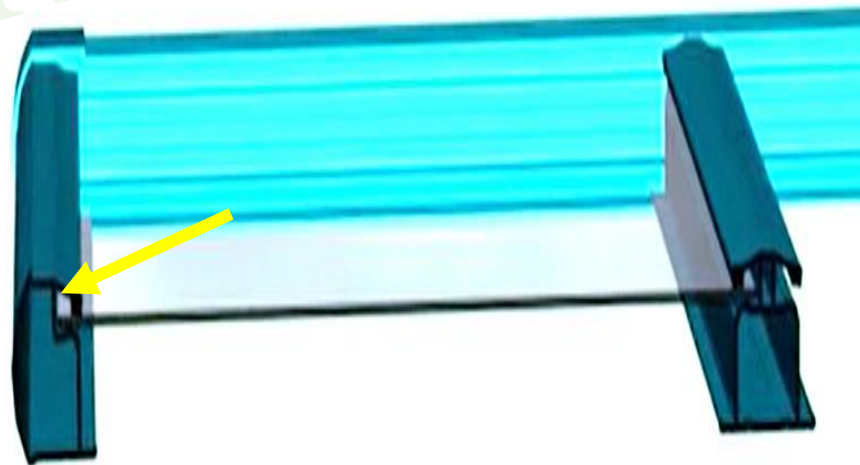


Install the Back Frame & Gutter Covers, use the
weatherproof Silicon



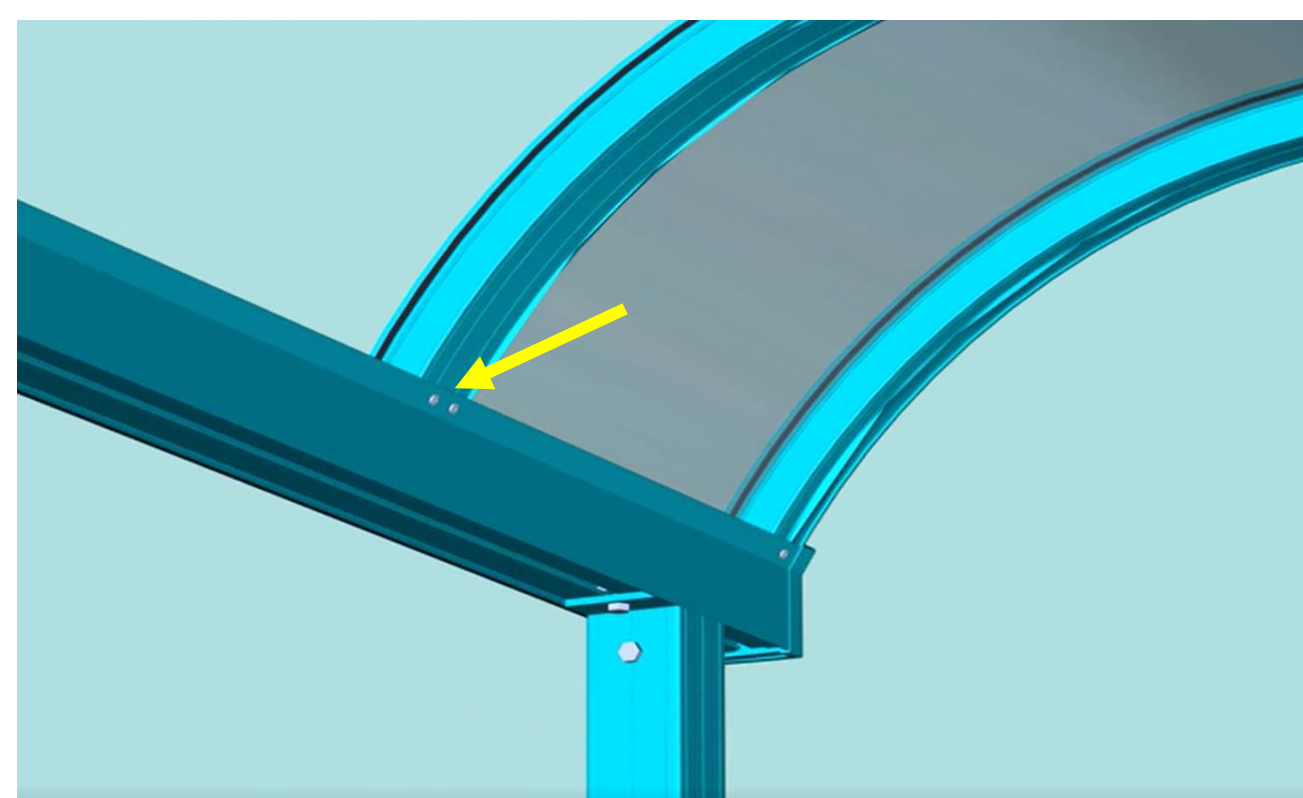
Now, Let's install the sheets. Slide the sheet into the Side Frame, Back Frame & Gutter under the upper rubber

Install the Middle Frame, sheet should be properly in the space under the rubber

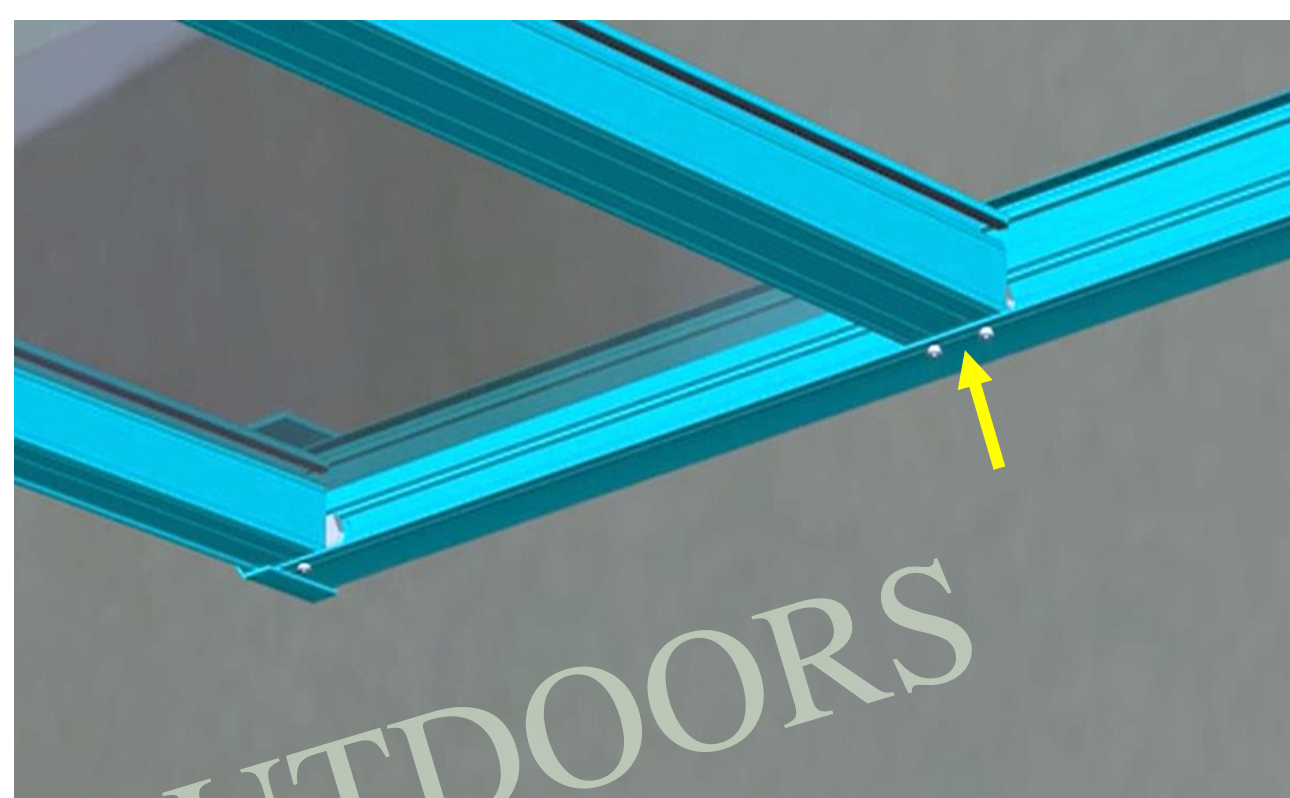


Check every sheet like this to ensure it is placed properly in the space under the rubber

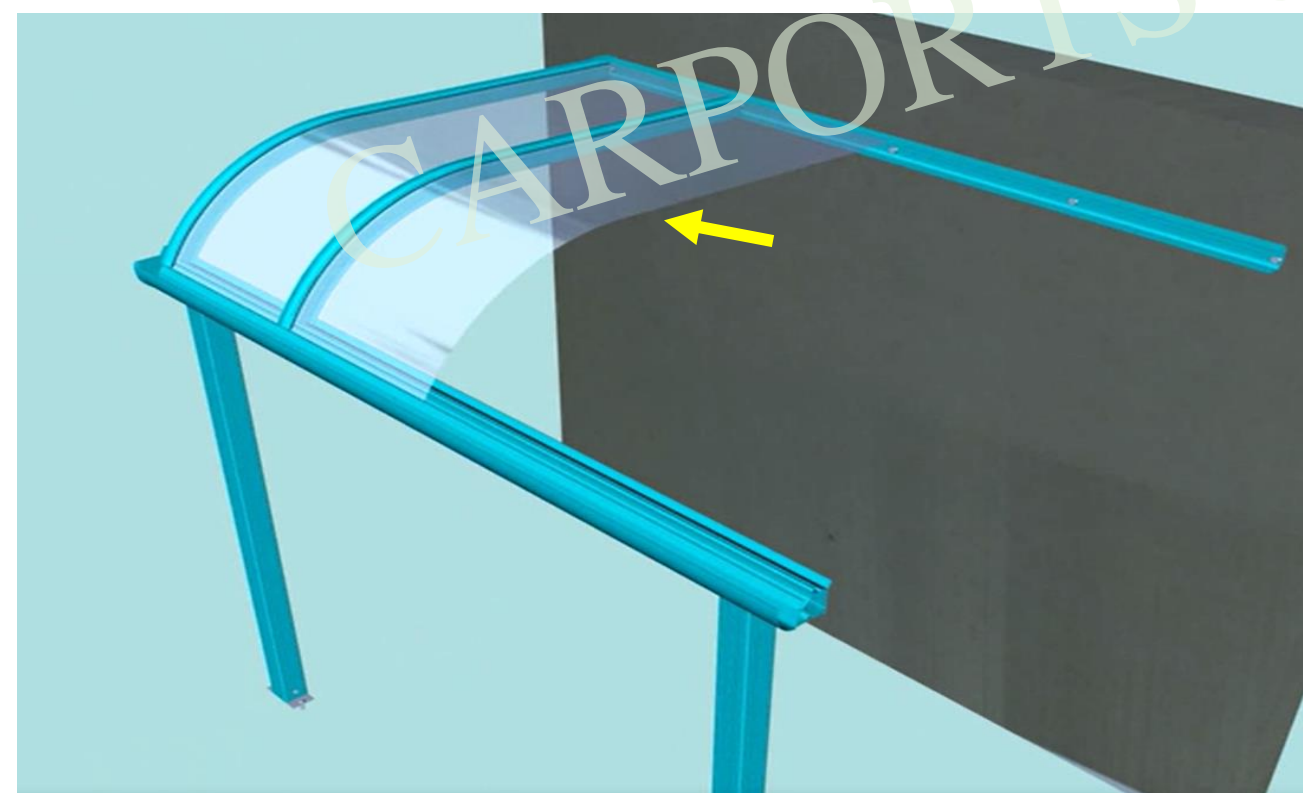
Please check the width of all sheets, if any 2 sheets are bigger than others, keep them at the both ends for similarity.



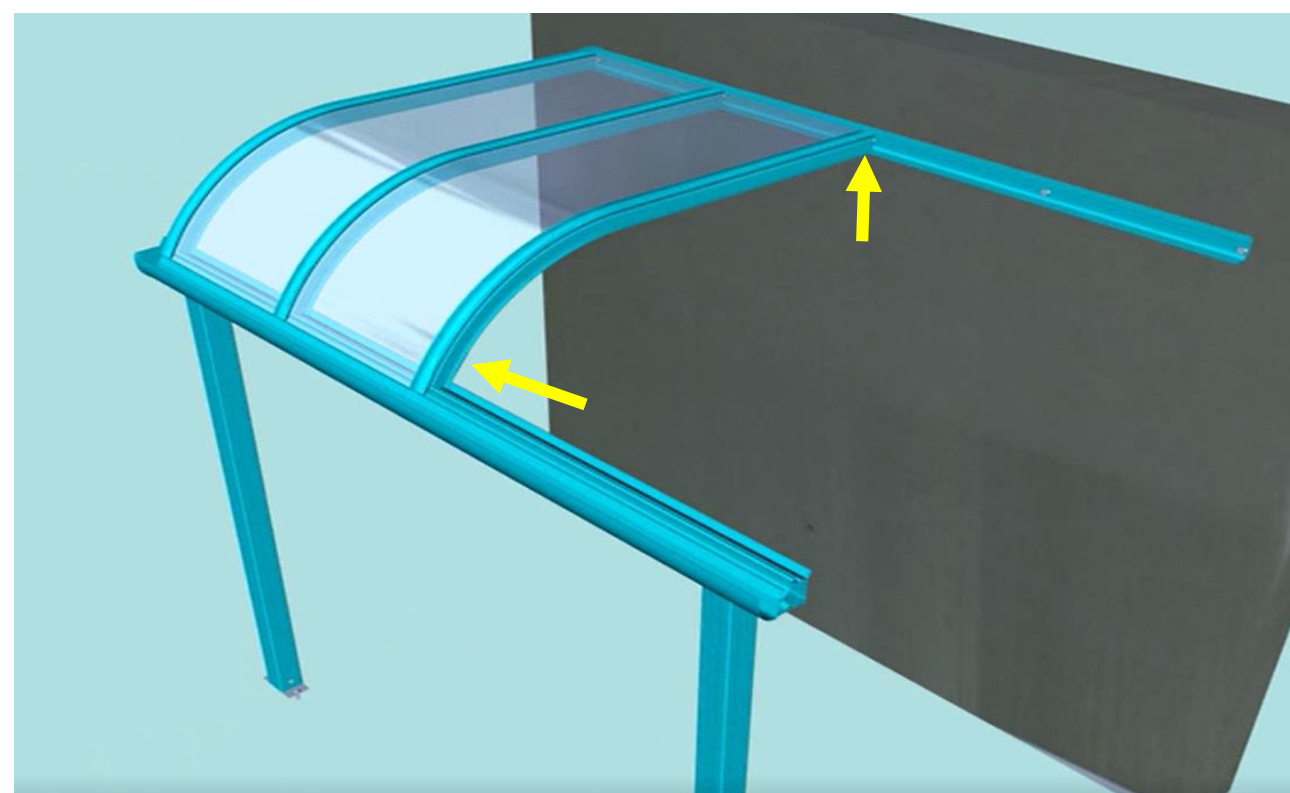
Secure the Middle frame with Self drill Screws x 2



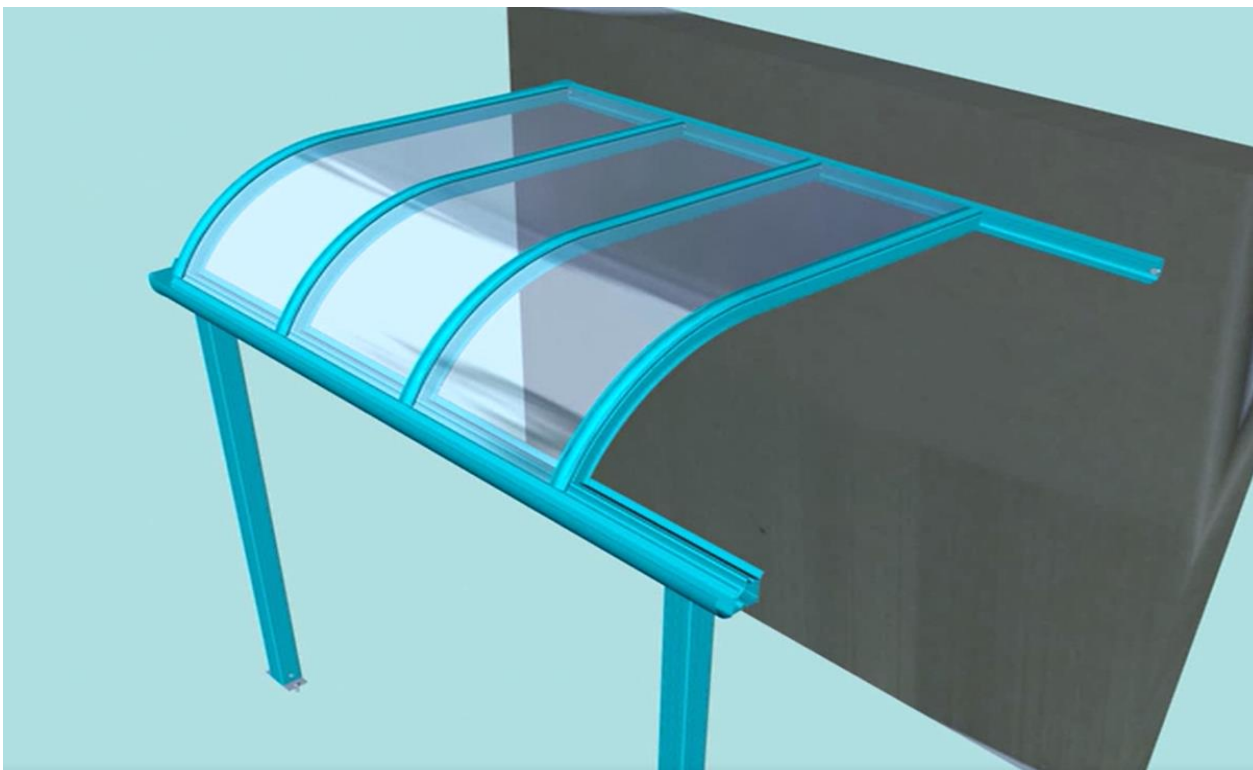
Secure the Middle frame with Self drill Screws x 2



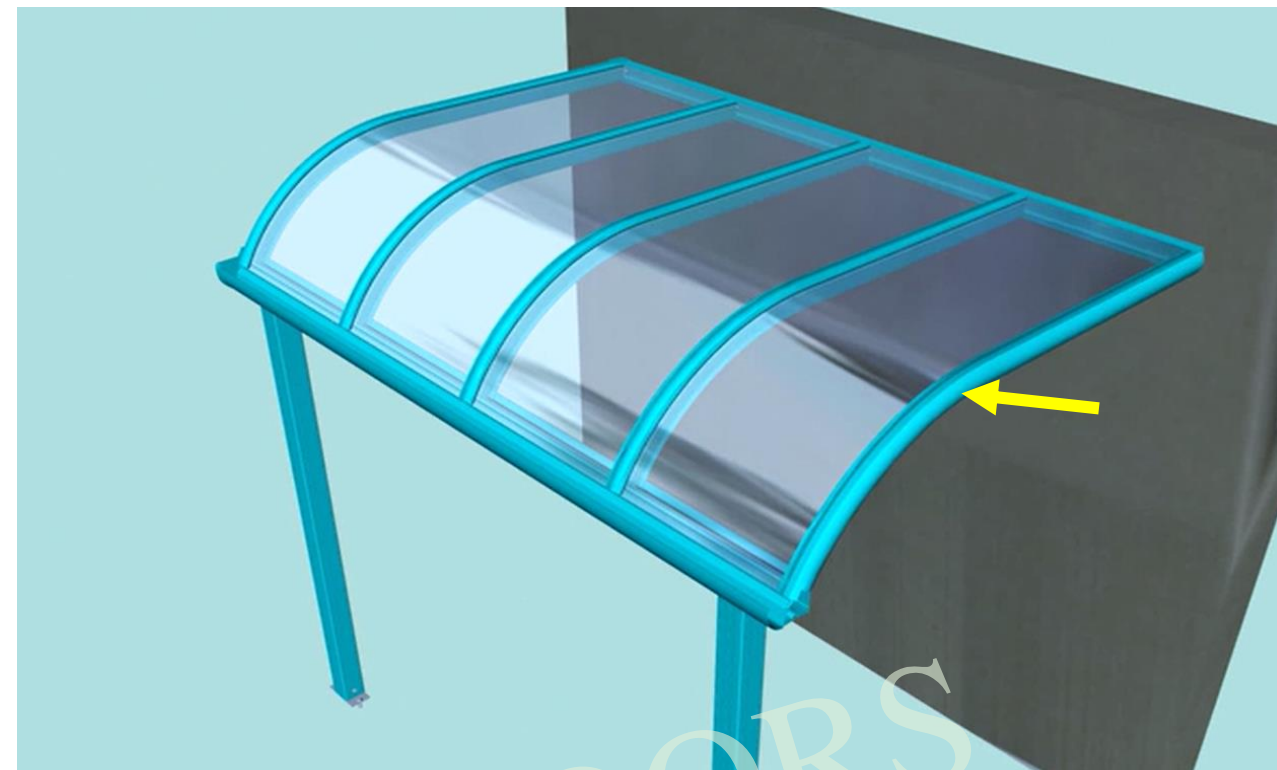
Now just repeat the process for rest of the sheets



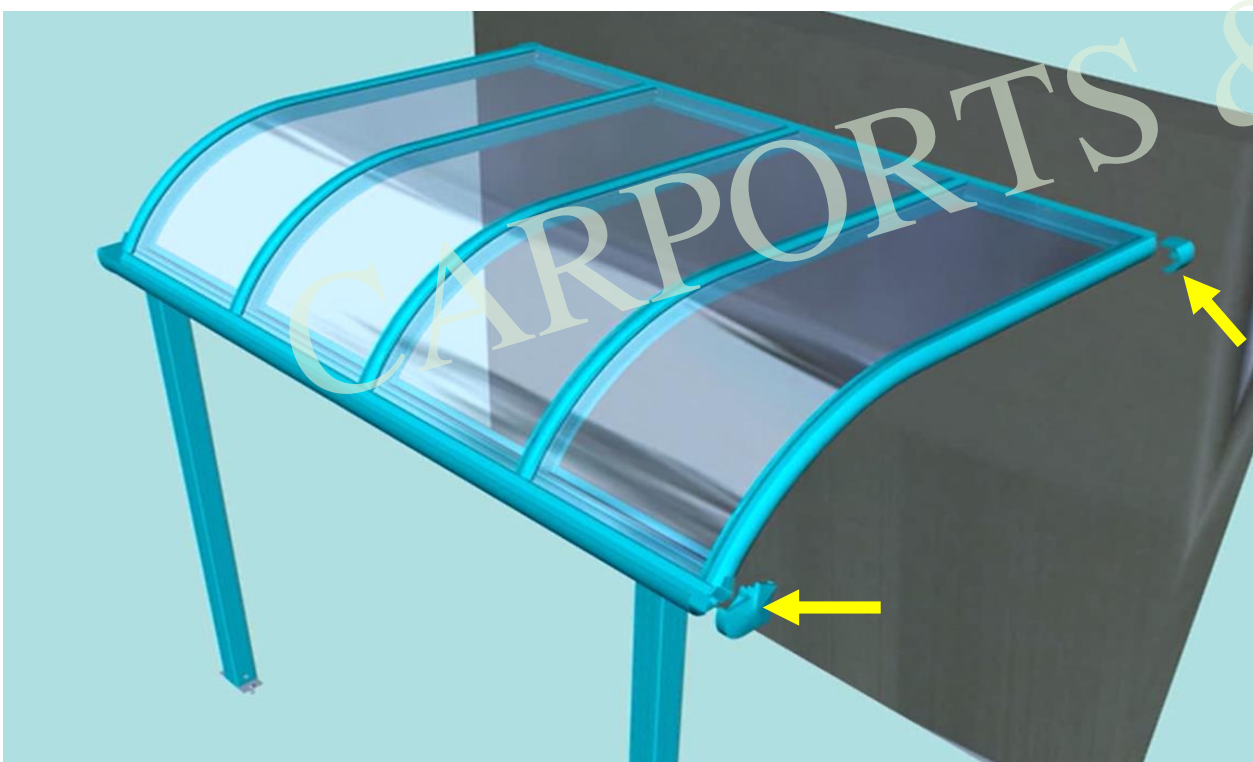
In the same way, secure the Middle Frame with 2 x Self Drill Screws on both sides



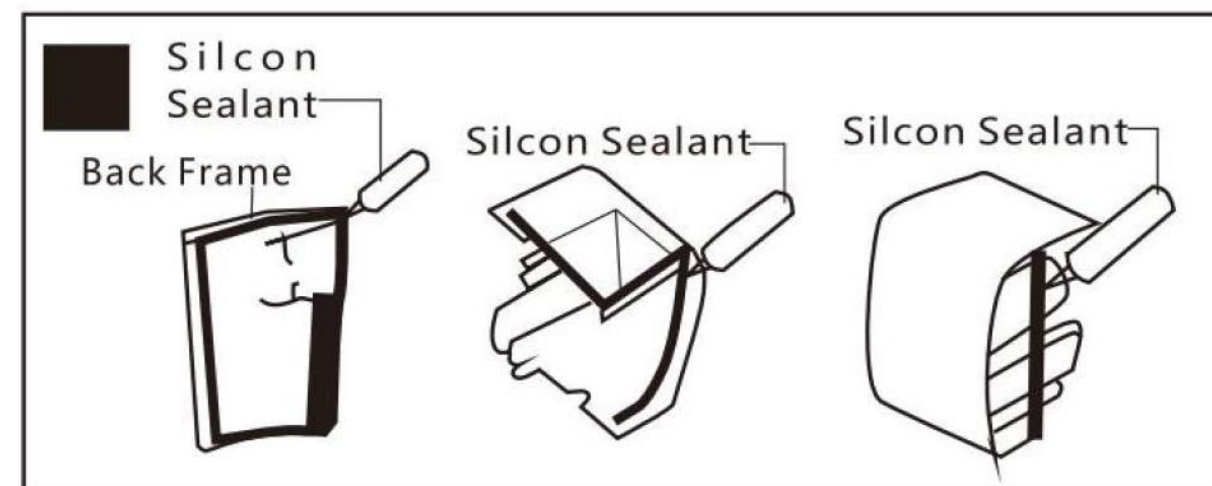
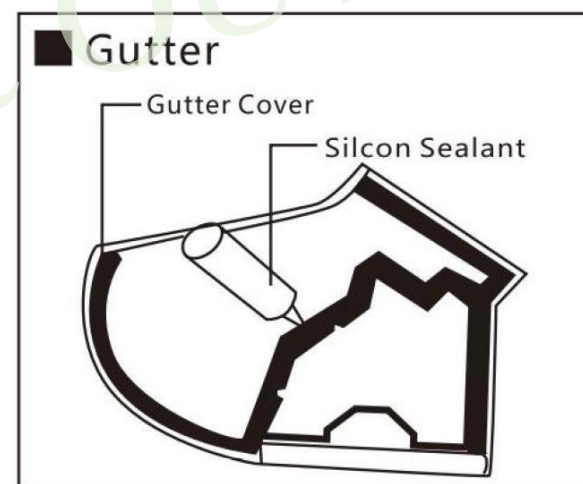
Repeat the process for the rest of the sheets & Middle Frame

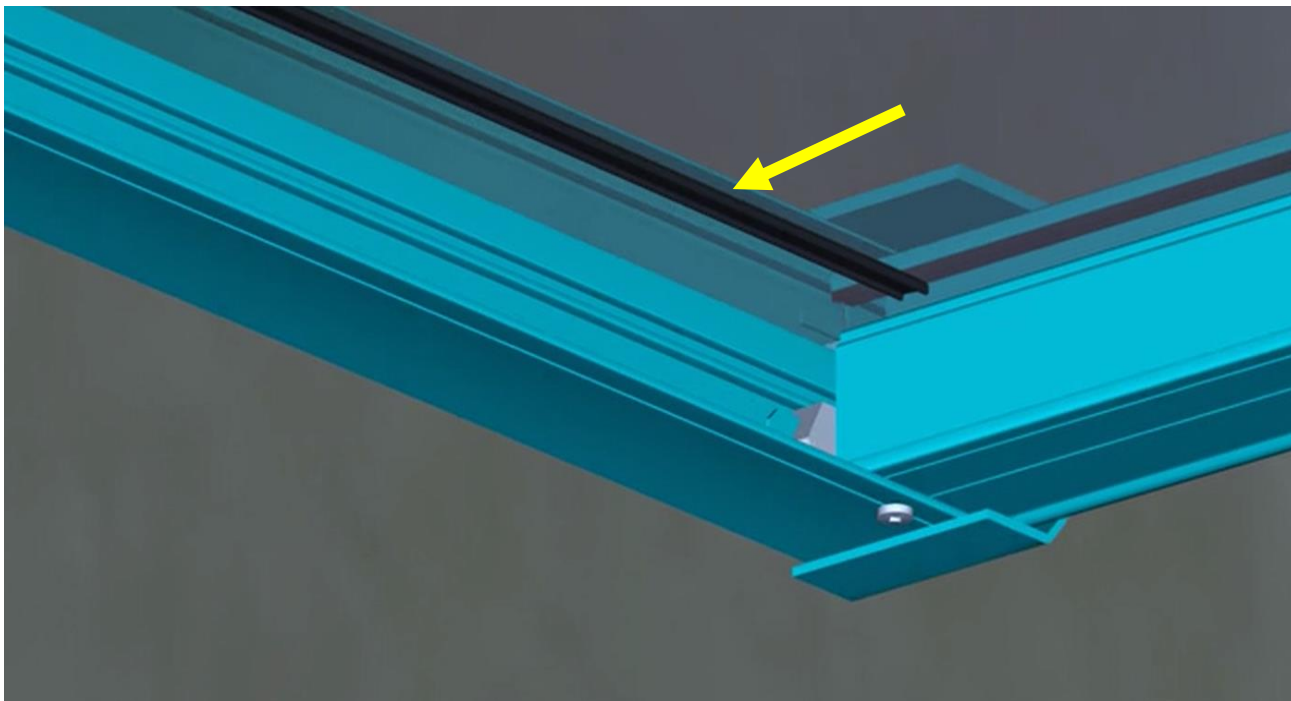


At the end, install the Side Frame on the other side to finish the roof line.



Install the Back Frame & Gutter Covers, use the weatherproof Silicon

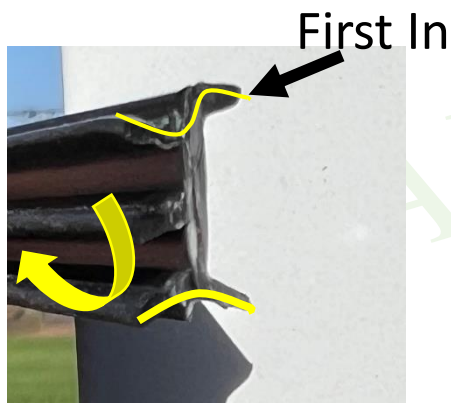




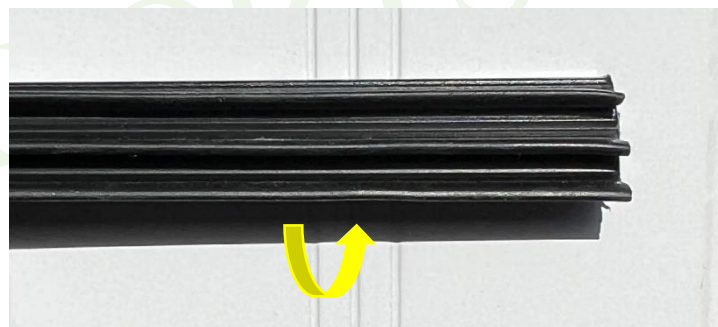
Install the rubber at the Back Frame under the sheet:
Measure & cut the rubber piece



Slide the rubber under the sheet, it takes a strong push to go in



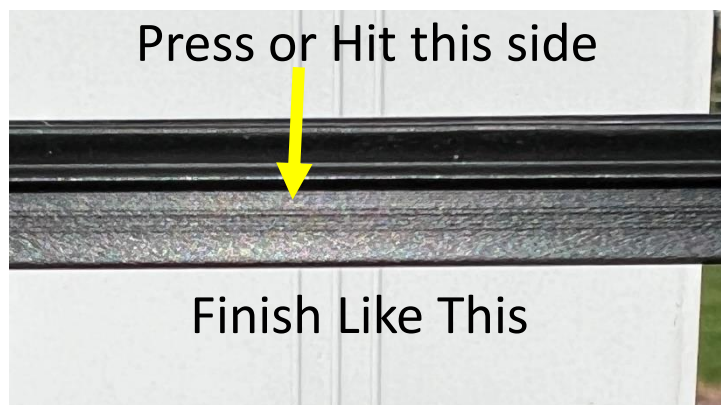
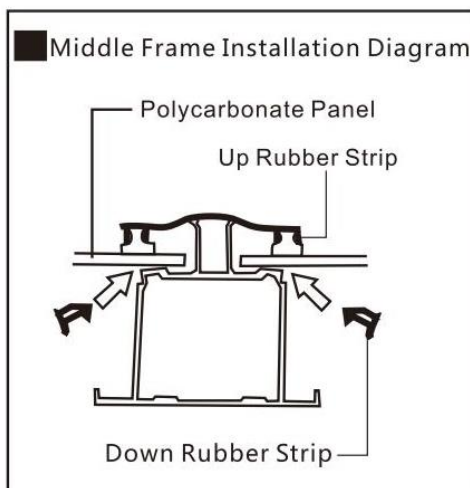
First In



Lift & turn

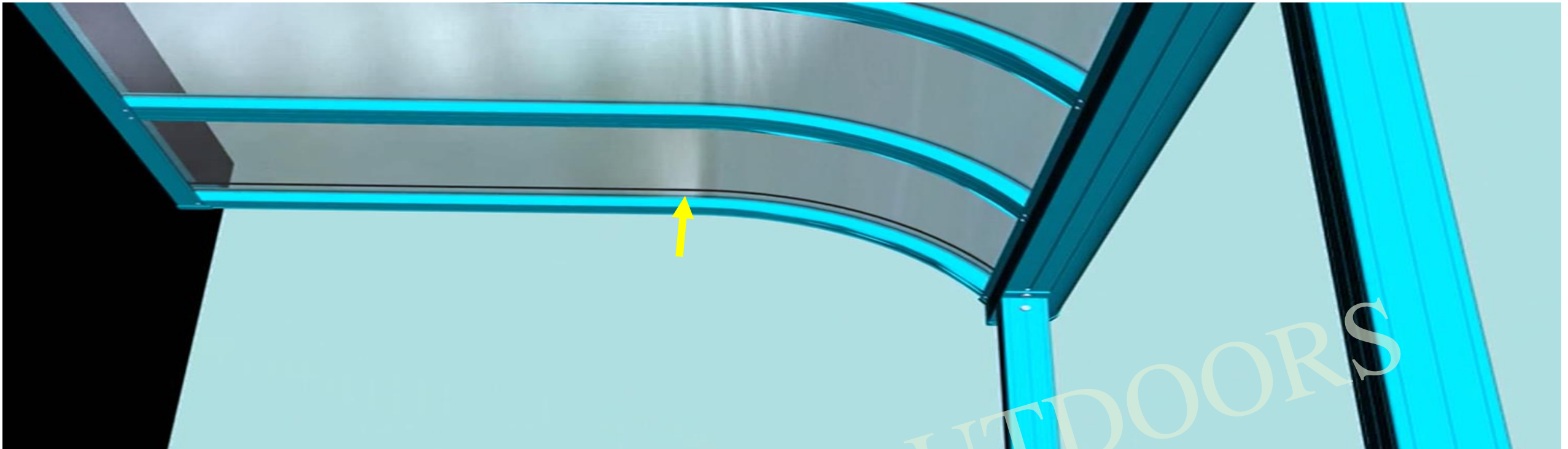


Use a round edged piece of wood or plastic to hit or push the rubber into the groove.

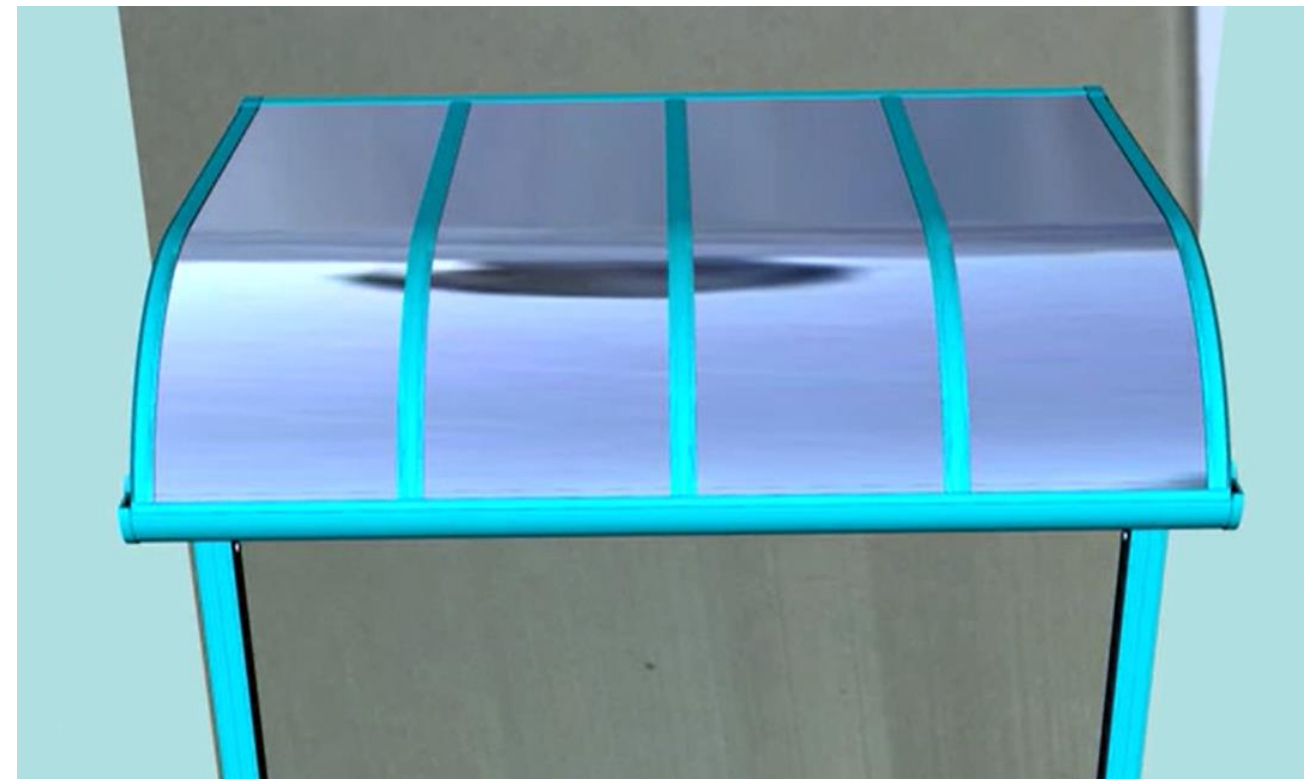
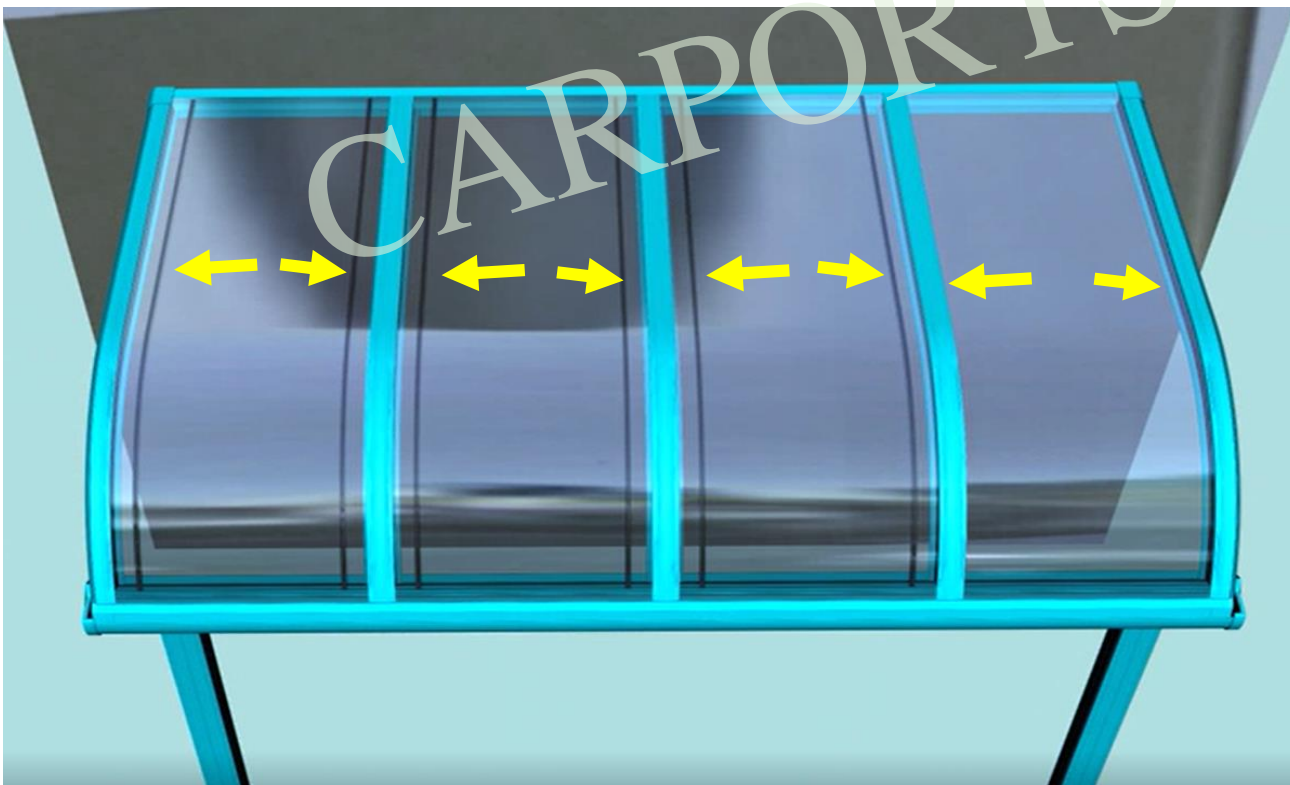


Press or Hit this side

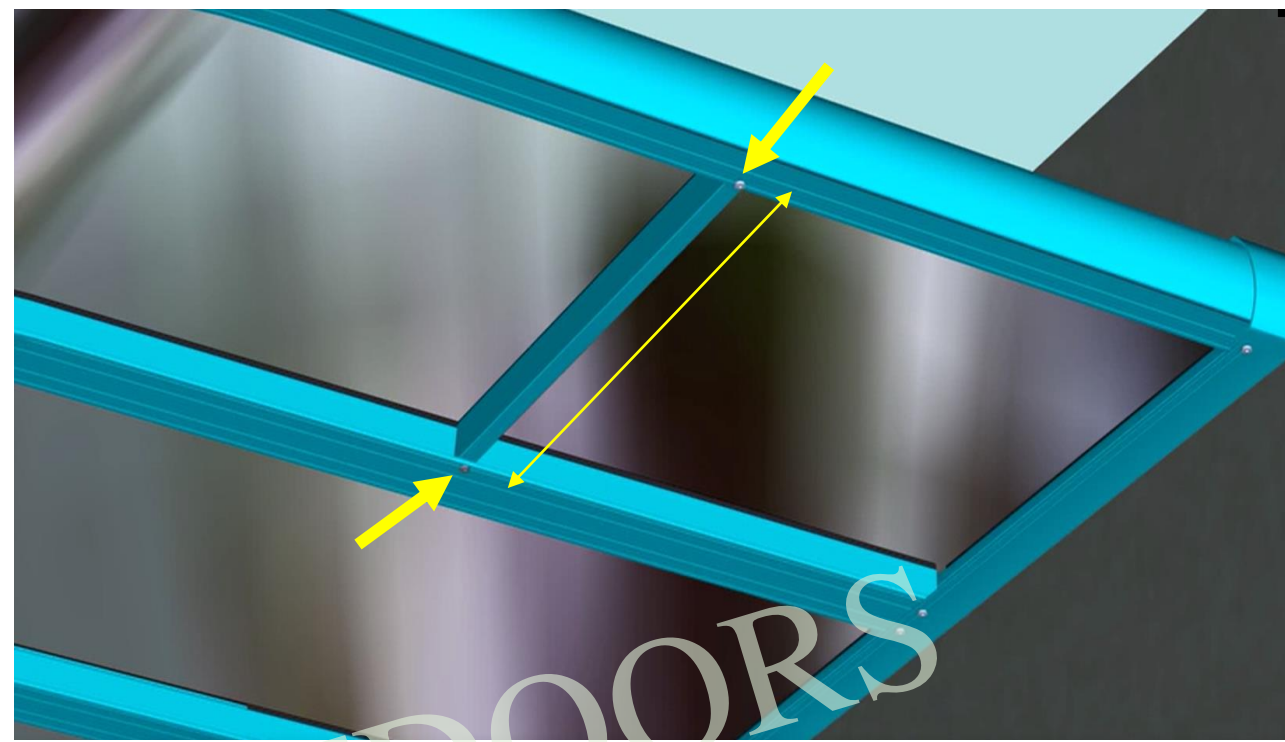
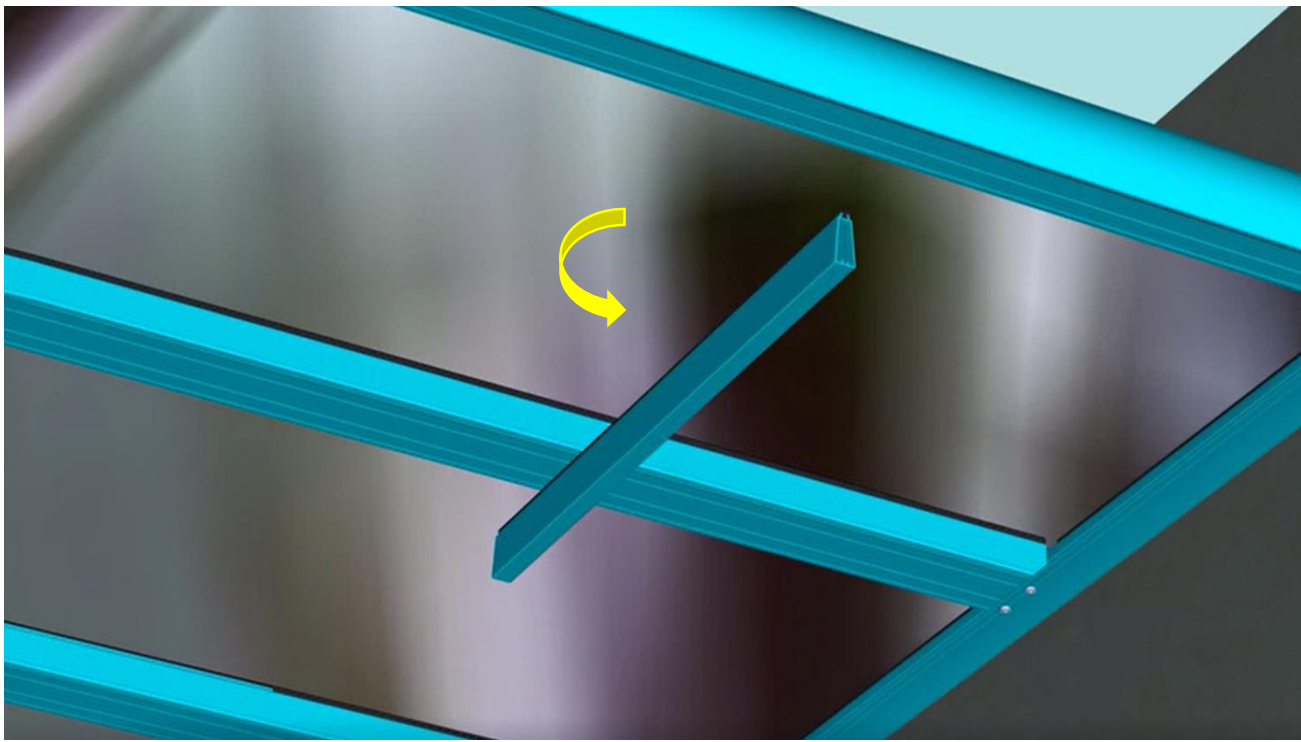
Finish Like This



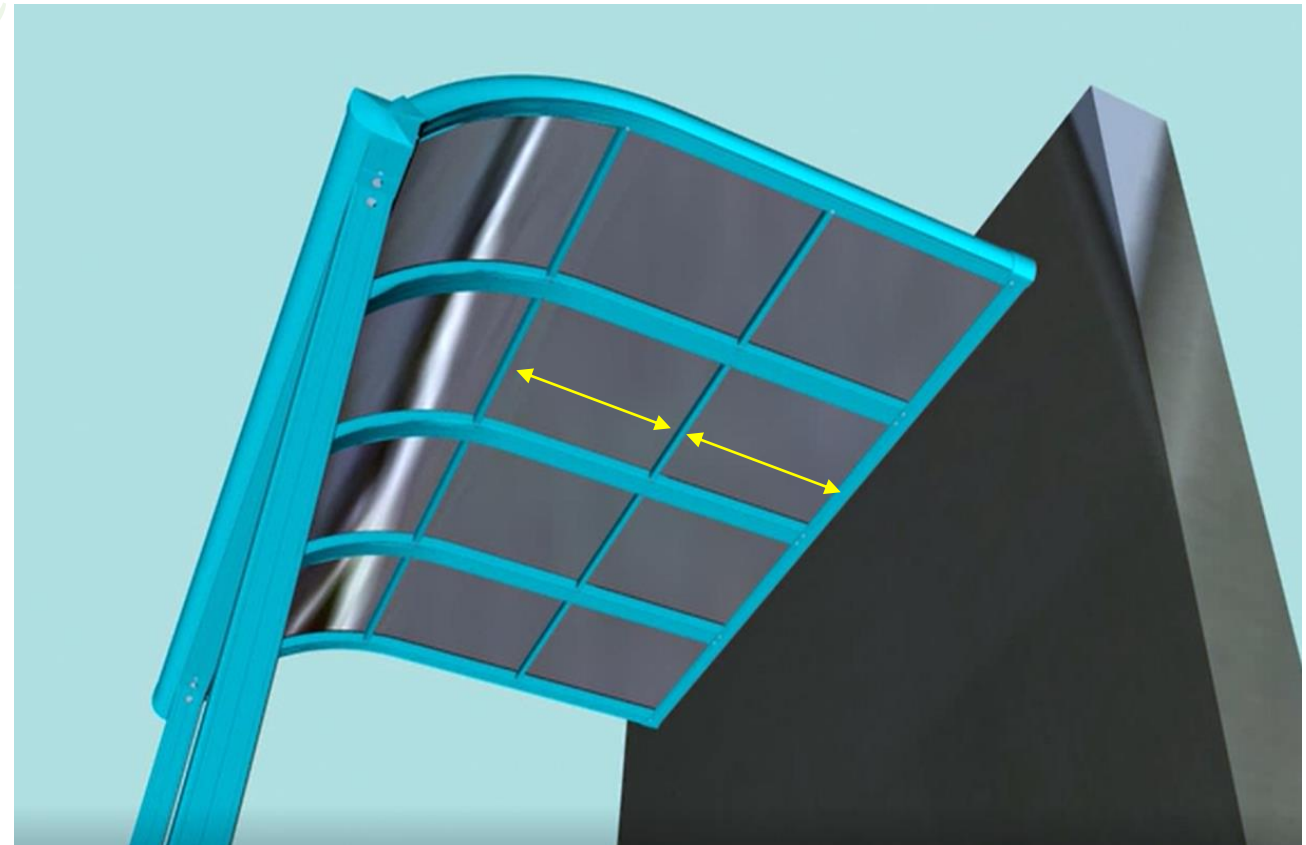
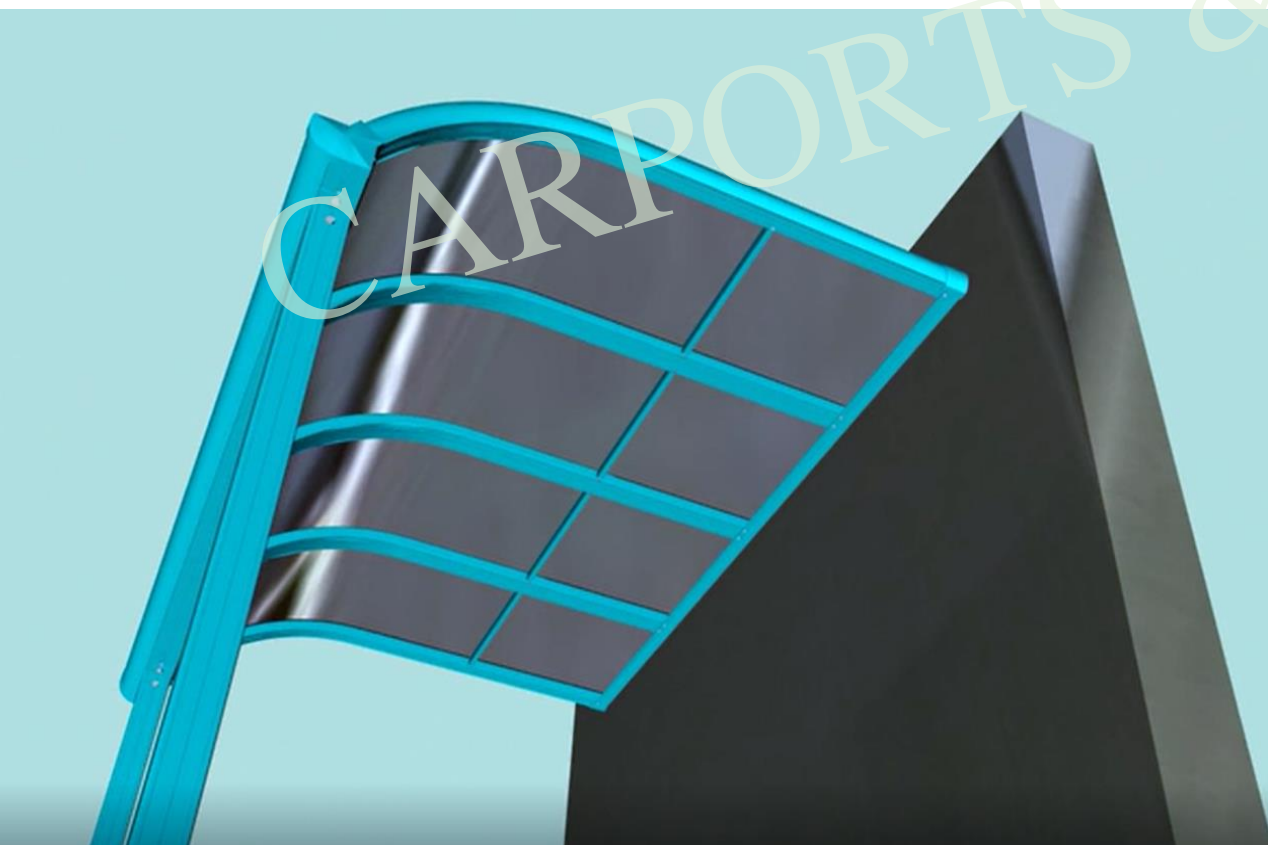
Measure & cut the rubber piece for Middle Frame and follow the same process



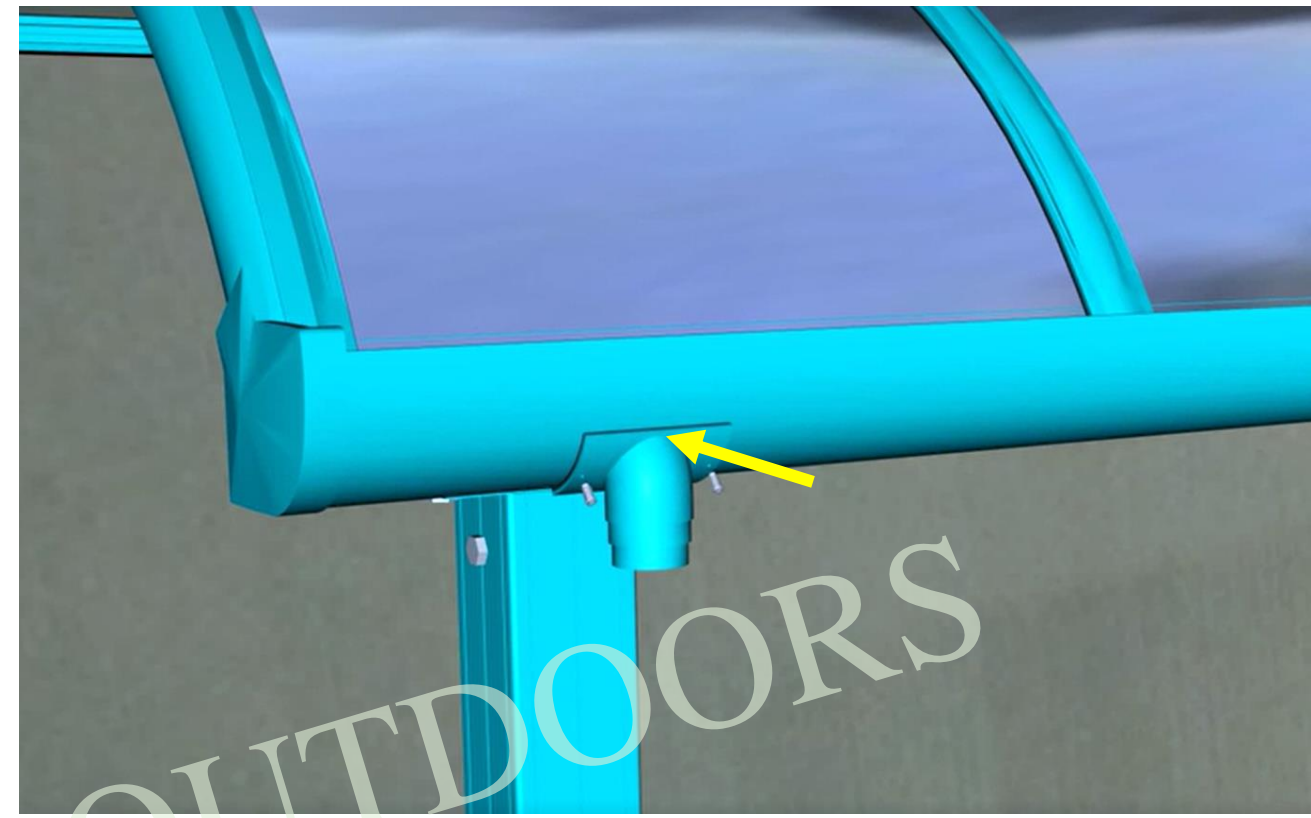
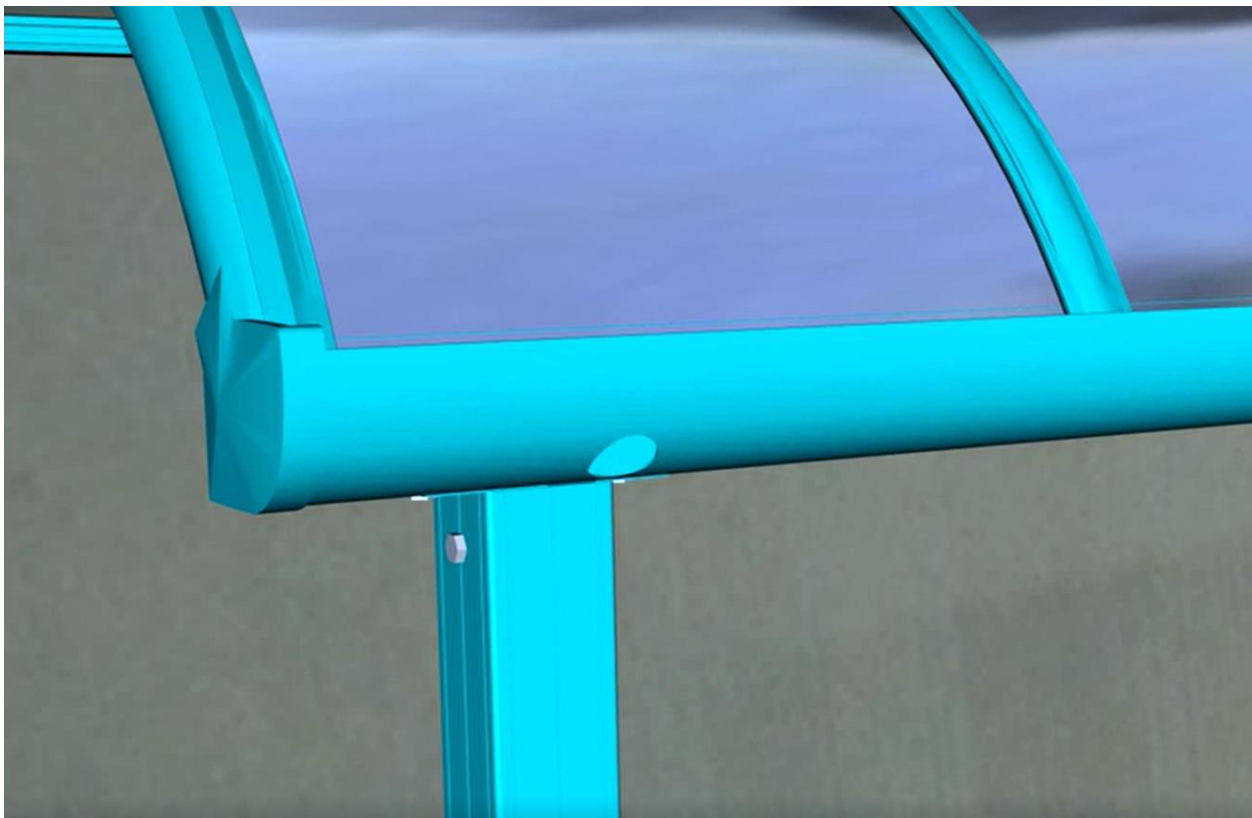
Once all the rubber is installed underneath, all sheets should be secured.



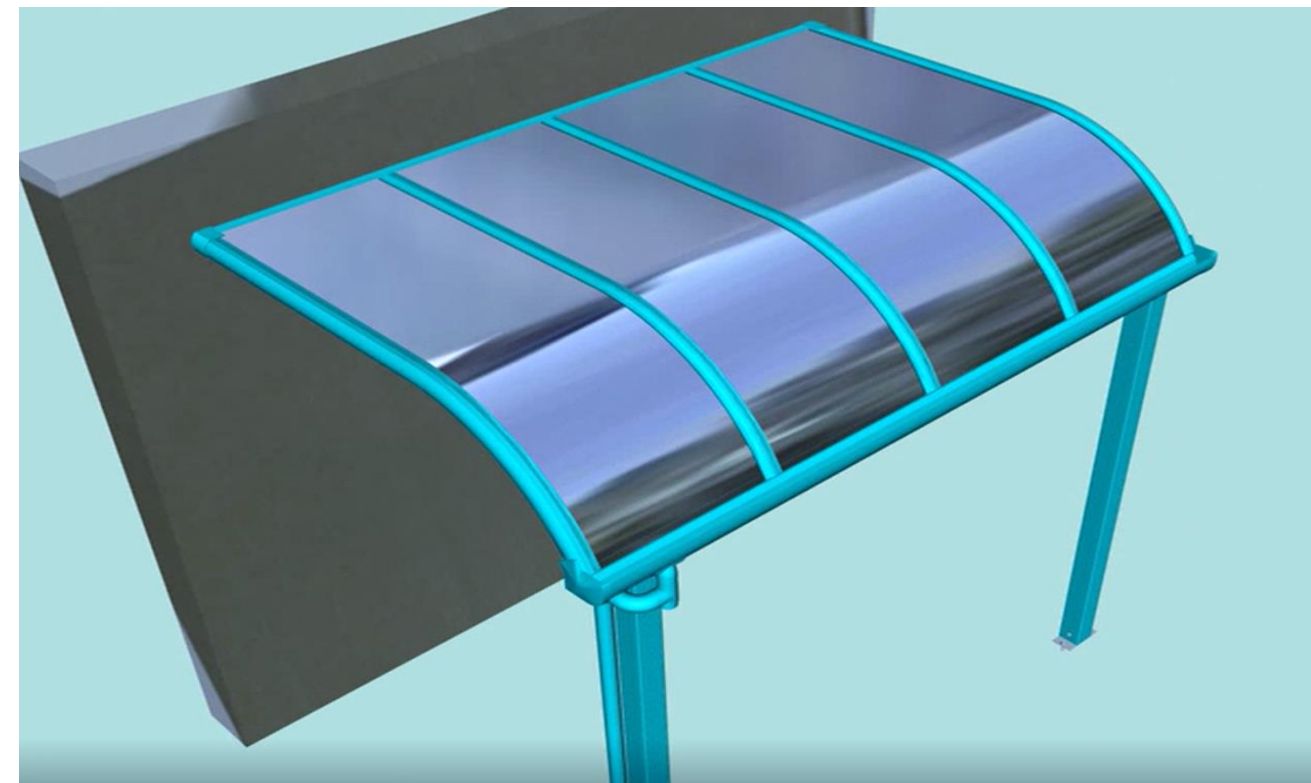
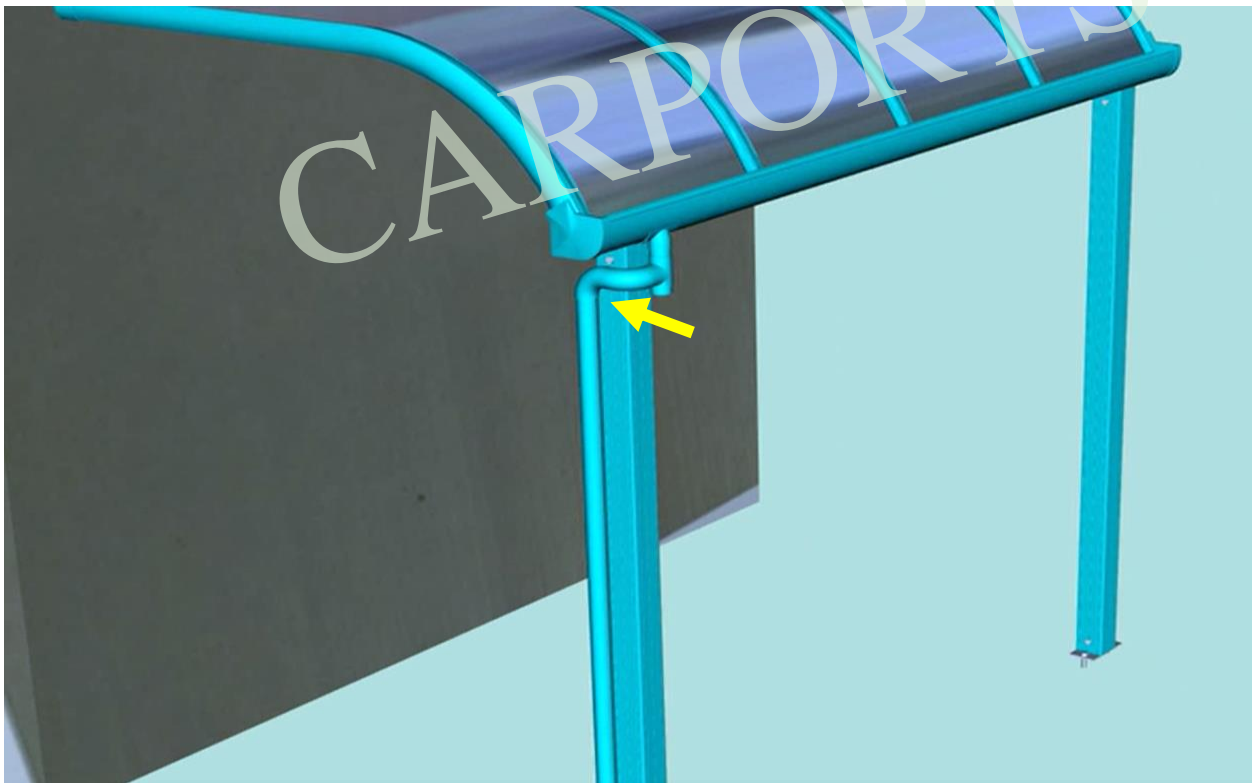
Let's add more strength to the frame and support to the sheets.
Install the Horizontal Support & fix with 2x Self Drill Screws



Install the Horizontal Support pieces with a gap of 50cm between them



Drill the hole for Down Pipe & Install the connector with silicon & Self Drill Screws

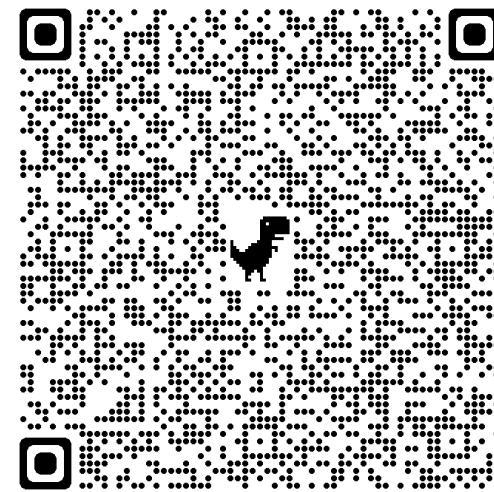


Use the elbows, down pipe & pipe holders with self drill screws to complete the installation

Congratulations, you did it !



Scan These QR Codes To Write a Review



Take some photos, share with us and write a product review on Google & Facebook to receive up to \$100 Cashback



CARPOTS AND OUTDOORS

ADD LUXURY TO YOUR HOME