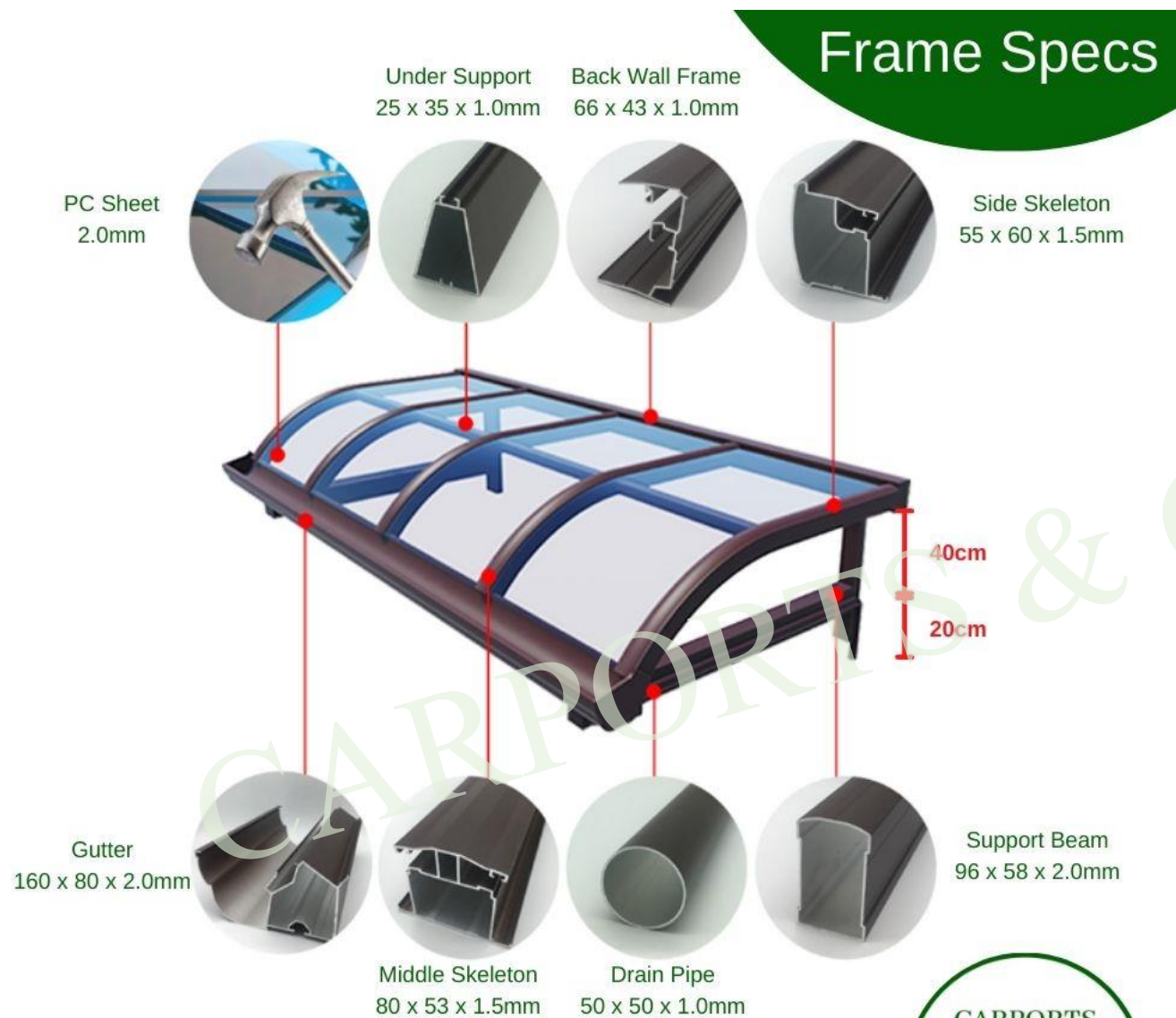


CARPORTS AND OUTDOORS



ADD LUXURY TO YOUR HOME

Aluminium Frame Awning *INSTALLATION*



Check all packages carefully for any damage before opening. If damaged, please do not open just take few photos & send us an email with as much detail as possible.

If all good, read the package stickers to make sure you received all packages and the correct product in requested colour.

If all of the above is correct, please open all the packages & place the items on the floor to check all the parts before starting the installation.

Requirement for installation: Appropriate step ladders, drill machine with required drill bits, angle grinder or saw to cut the frame if needed, measuring tape etc.

Measure the area and make the necessary markings.

Wall back frame will be approximate 40cm higher than the beams for the best rain water flow.

Note: You must do the installation work in a team. Minimum 2 adults required for installation. For your safety please work in another adult's presence.

If unsure, please take professional advice or help for installation.

On to the next page....

Aluminium Window Awnings - DIY

CARPORTS
&
OUTDOORS
ADD LUXURY TO YOUR HOME

Awnings Accessories

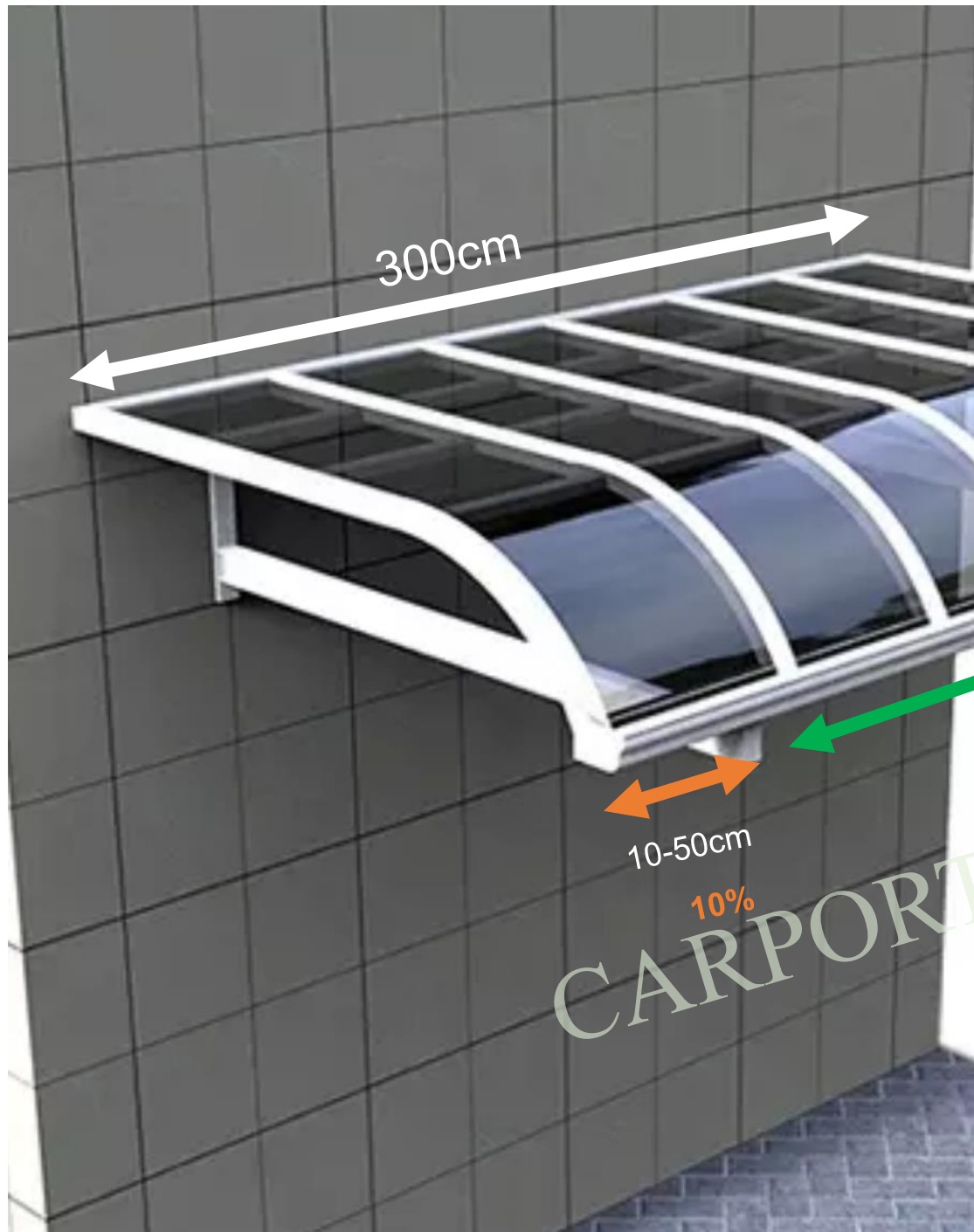
Accessory List:

1. Wall Base Upper Cover
2. Dyna bolts
3. Steel Wall Base
4. Beam Brackets
5. Wall Base Lower Cover - Insert them over the beam
6. Screws
7. Bolts & Washers
8. Bolt's Caps
9. Drain Pipe Holders
10. Gutter Caps
11. Back Corner Caps
12. Support Beam Caps
13. Drain Pipe Elbows



Aluminium Window Awnings - DIY

CARPORTS
&
OUTDOORS
ADD LUXURY TO YOUR HOME



Beams' Position:

For Awnings up to 3.0m, beams can be placed 10 to 50cm inside.

For Awnings over 3.0m, try to keep gap between the beams around 3.0m.

Size of the Awnings

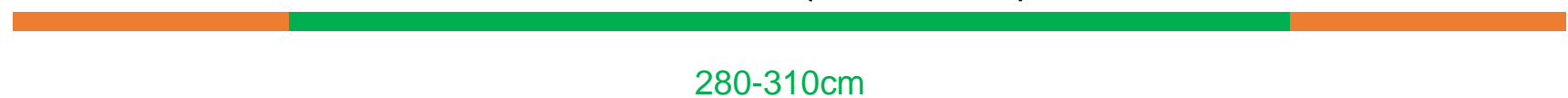
200cm (2 Beams)



300cm (2 Beams)



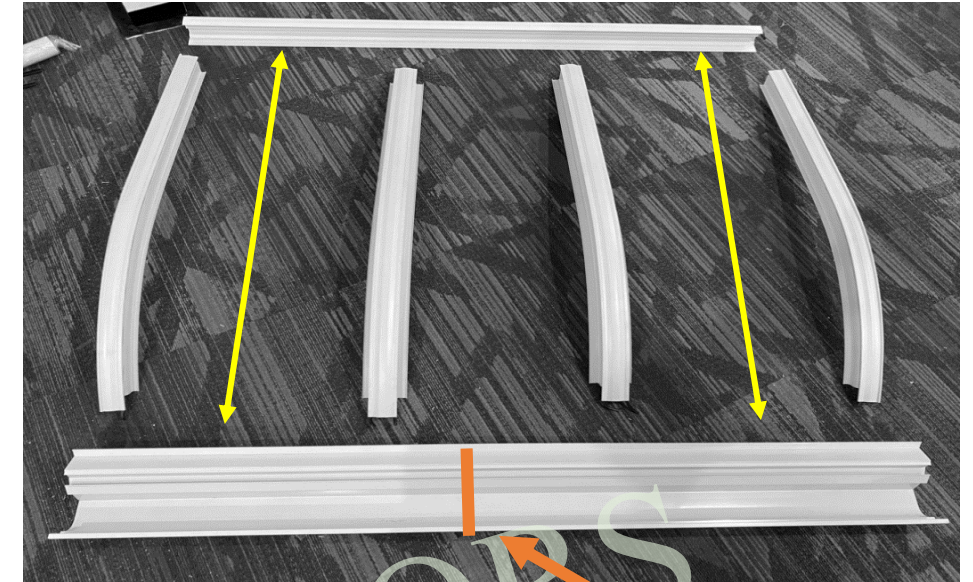
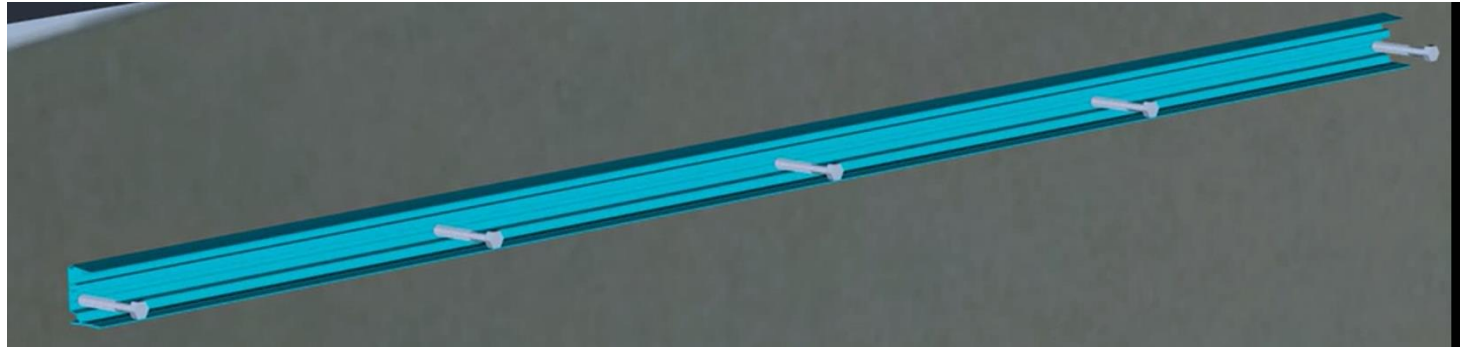
400cm (2 Beams)



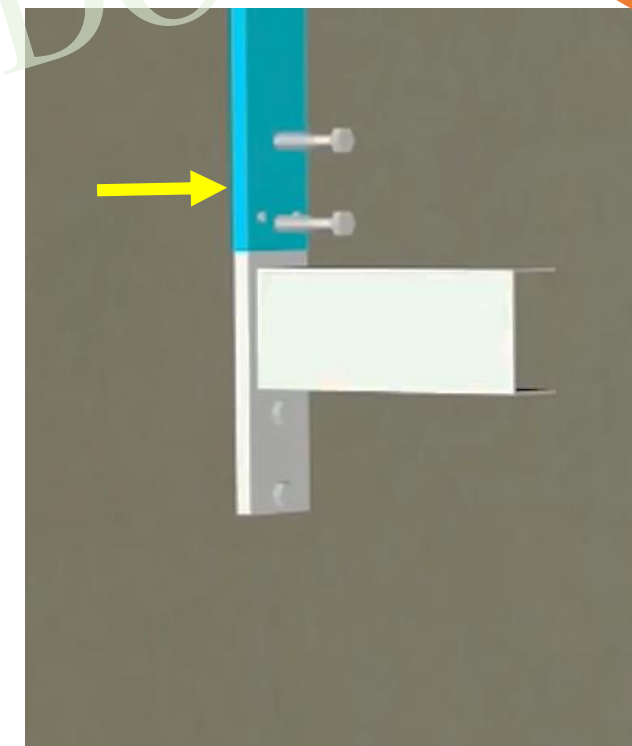
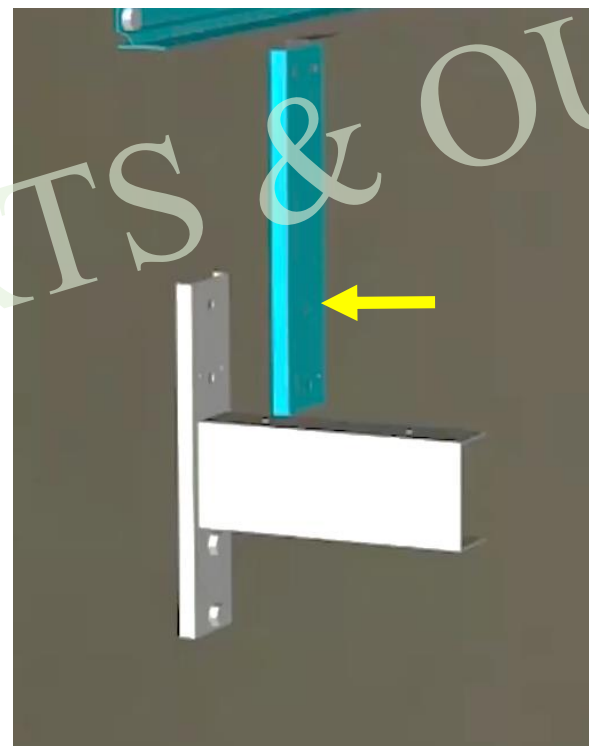
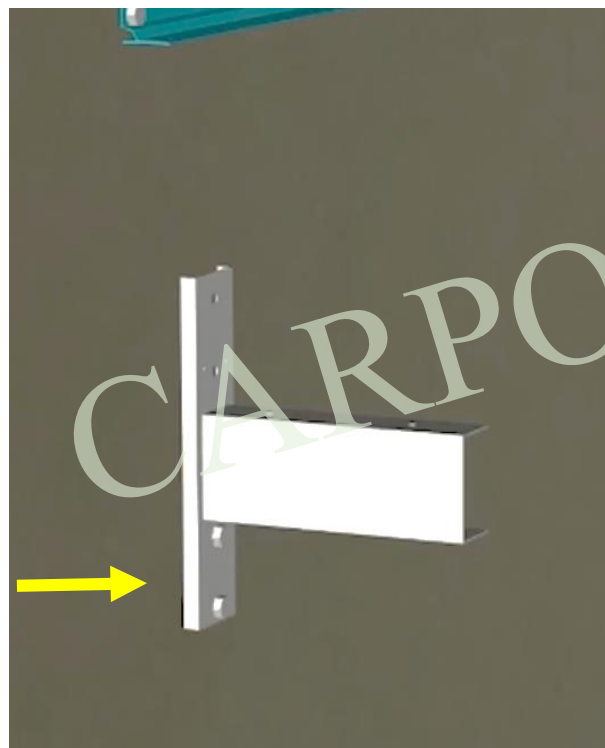
400cm (3 Beams)



Place the Back Frame, Middle Frame & the Gutter on the floor to mark the exact position.

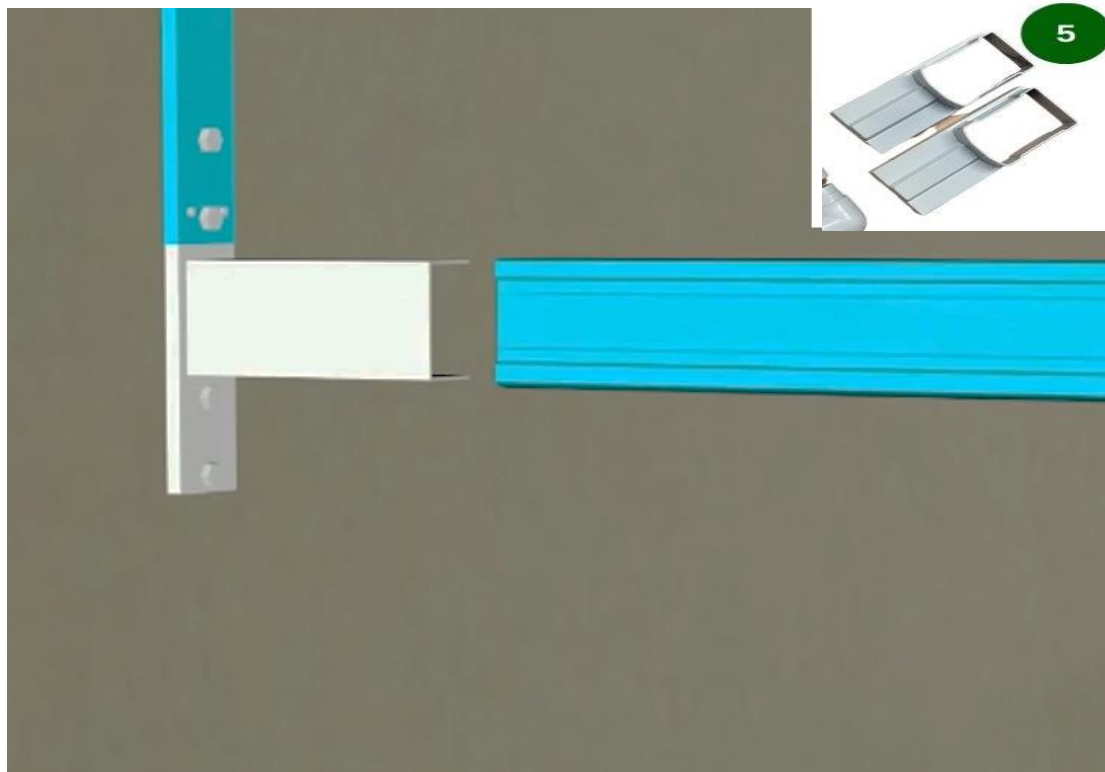


Install The Back Frame by punching 10mm holes in the middle of the Back frame at a gap of 50cm between each hole.



Install the Base Plate/Wall Bracket with upper cover & secure with bolts on both sides.

Over 3.0m Length will have Gutter & wall frame cut into 2 pieces for safe transportation. Please use the aluminium connector with frame screws to join them



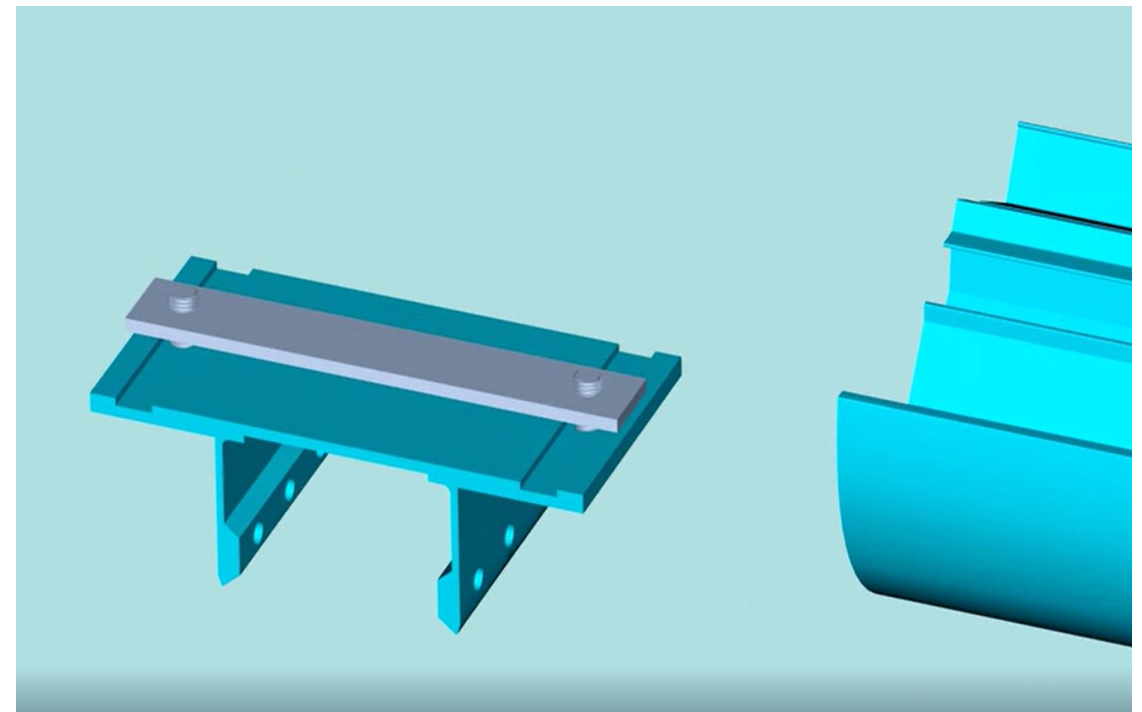
Install the beams & lower cover (No. 5)



Beam on the wall bracket with bolts

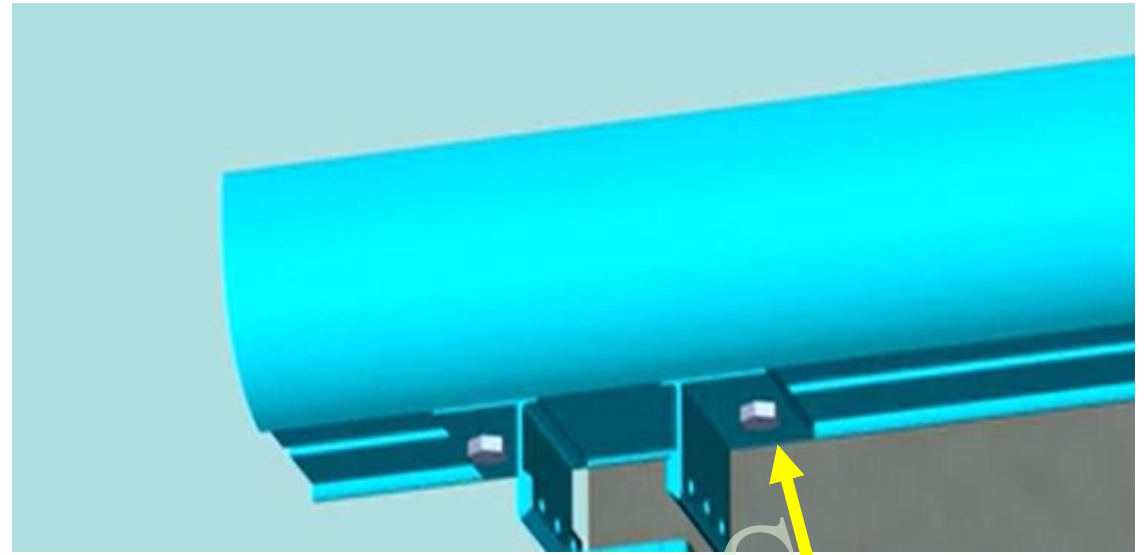
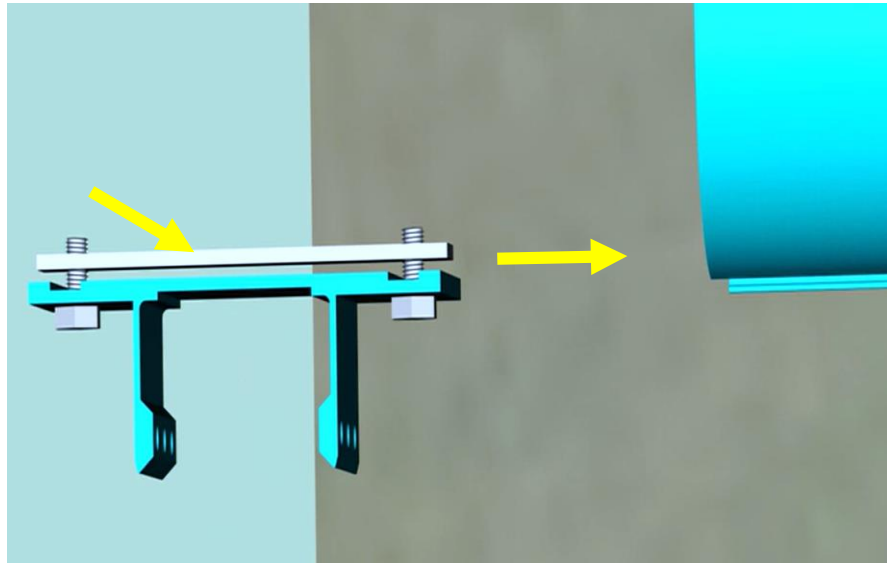


Both beams installed

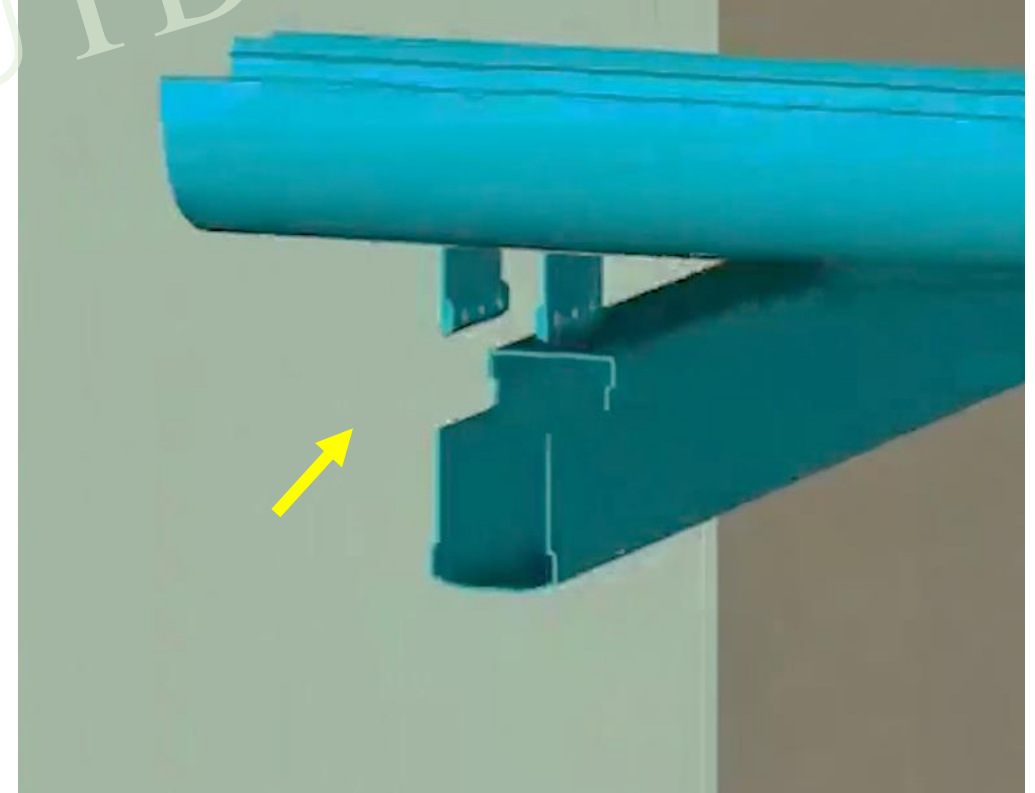


Beam Bracket & Gutter

More 3.0m Length will have Gutter & wall frame cut into 2 pieces for safe transportation. Please use the aluminium connector with frame screws, under the gutter

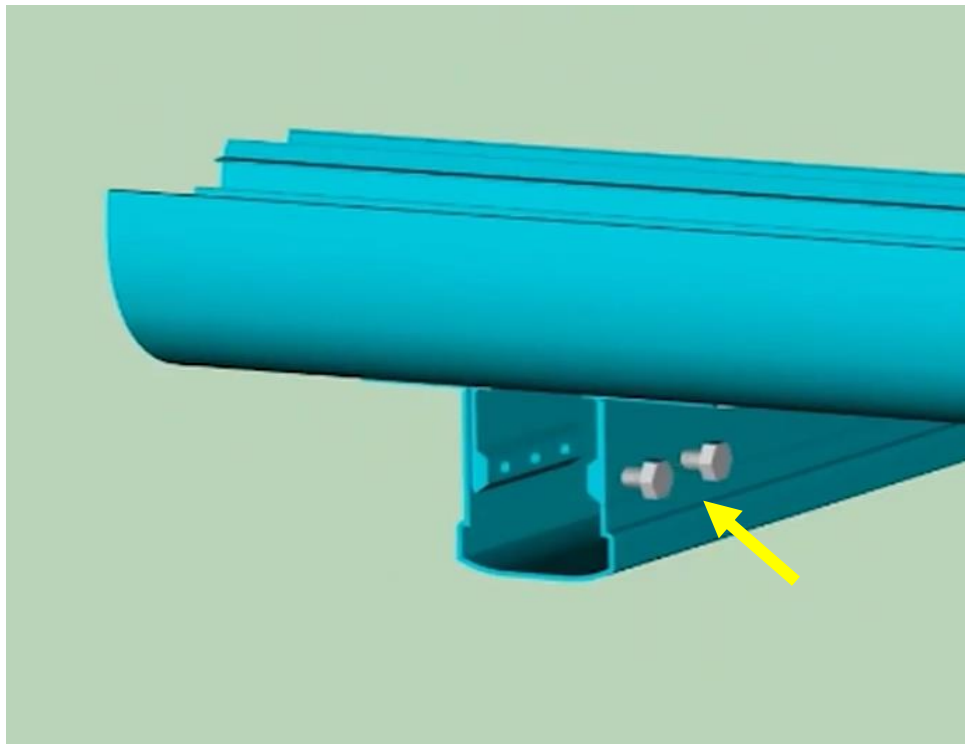


Adjust the plate and slide the bracket into the groove underneath the Gutter. Tighten the bolts at the desired location.



Fixing the brackets on the beams

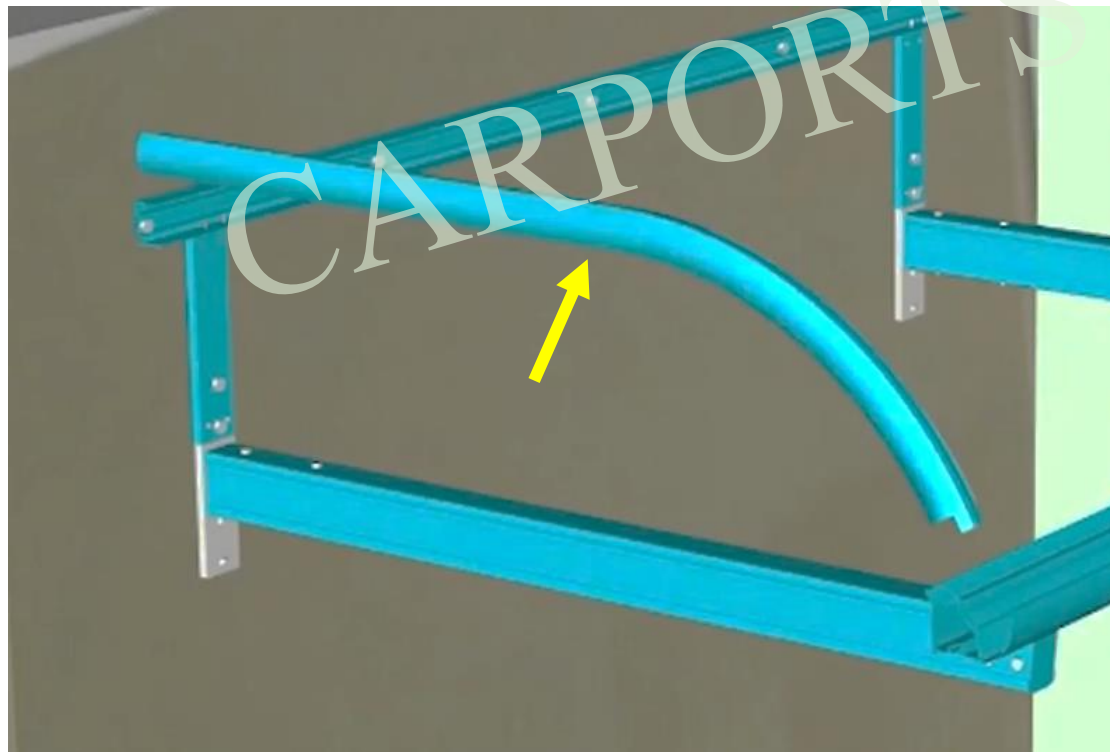
More 3.0m Length will have Gutter & wall frame cut into 2 pieces for safe transportation. Please use the aluminium connector with frame screws to join them



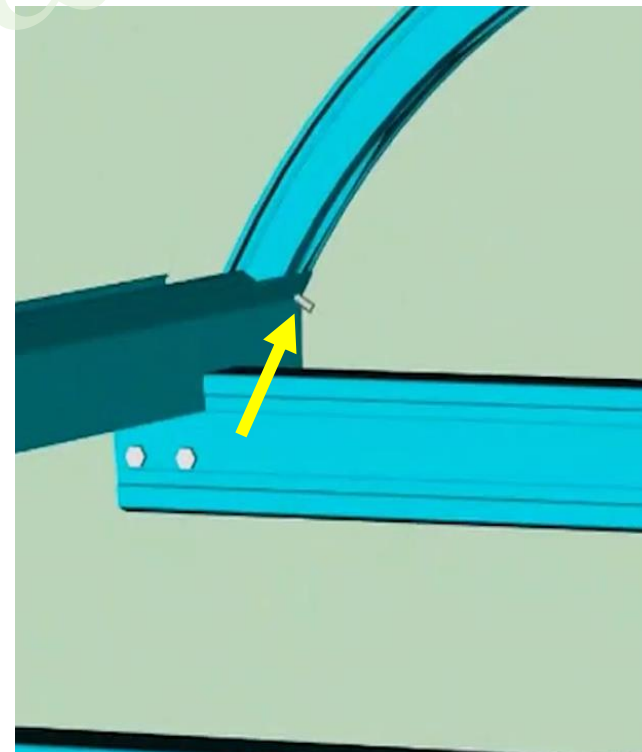
Tighten the bolts



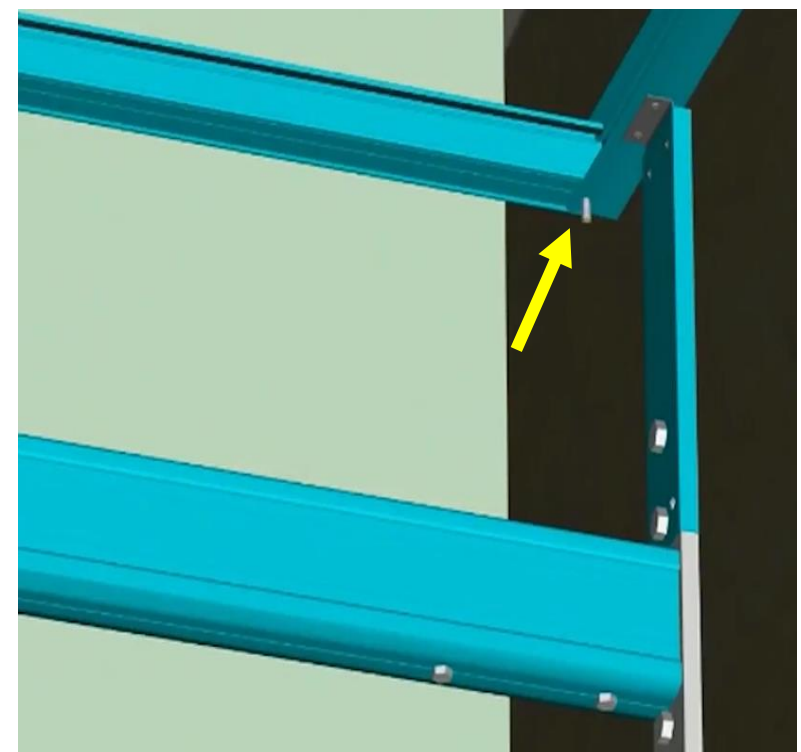
Add the beam cover/caps



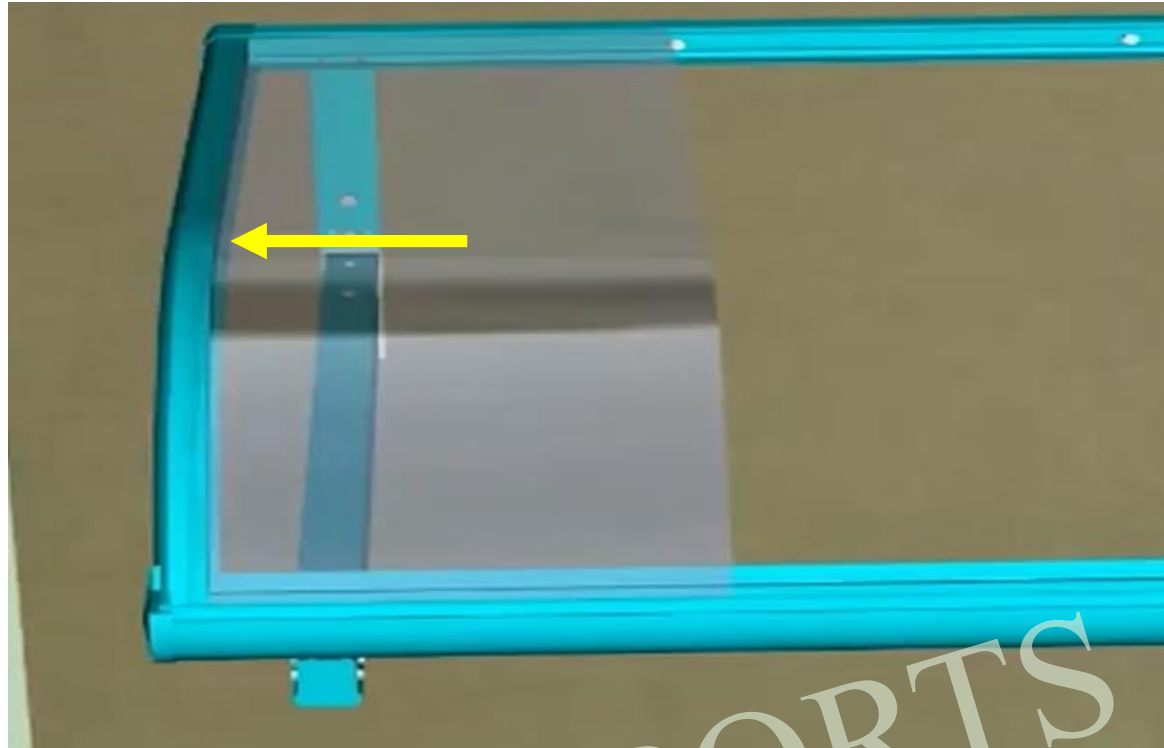
Side Frame Installation



Secure the side frame with Self drill Screws
To Gutter & Back Frame



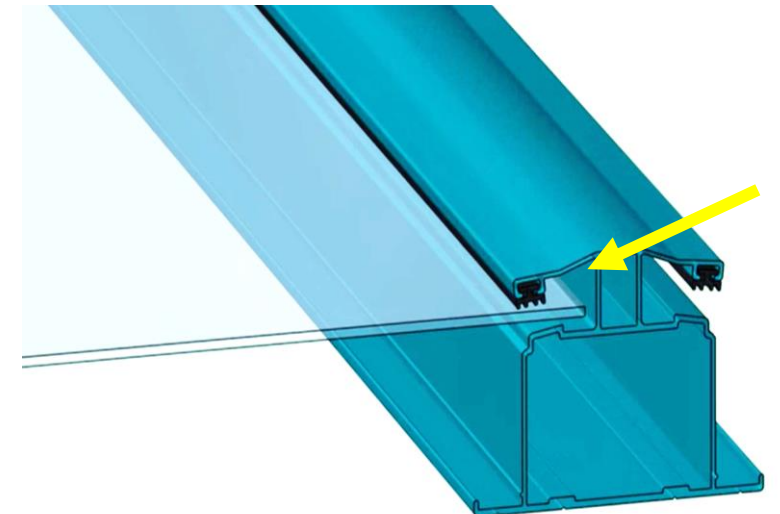
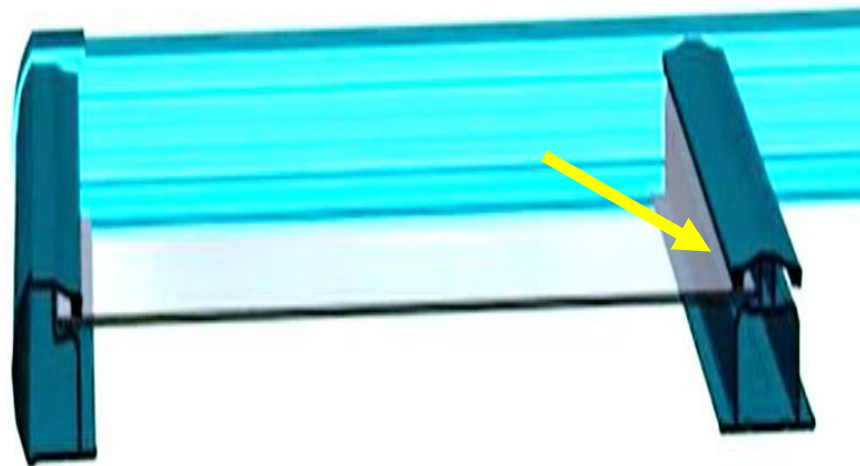
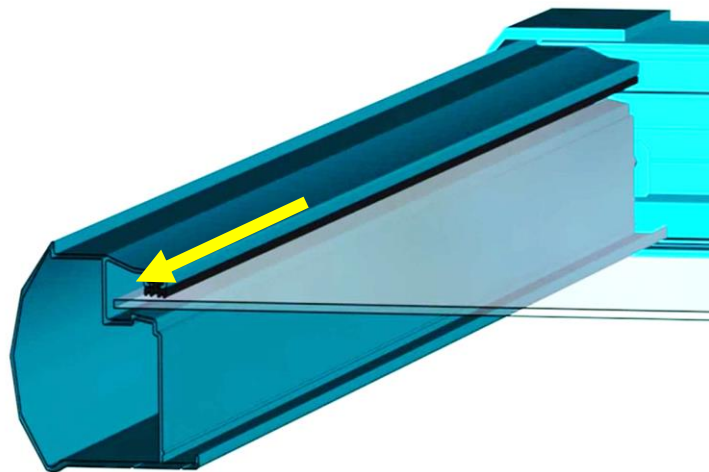
Please check the width of all sheets, if any 2 sheets are bigger than others, keep them at the both ends for similarity.



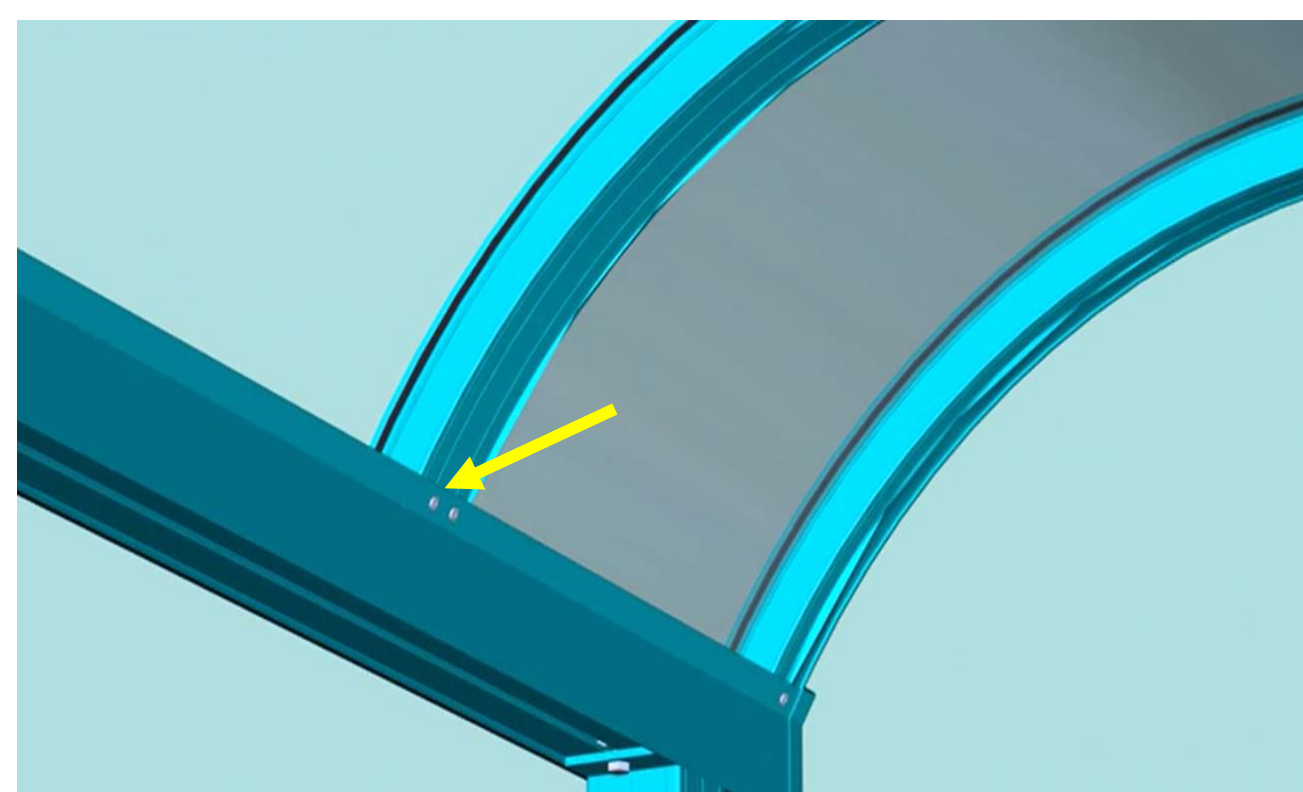
Now, Let's install the sheets. Slide the sheet into the Side Frame, Back Frame & Gutter under the upper rubber



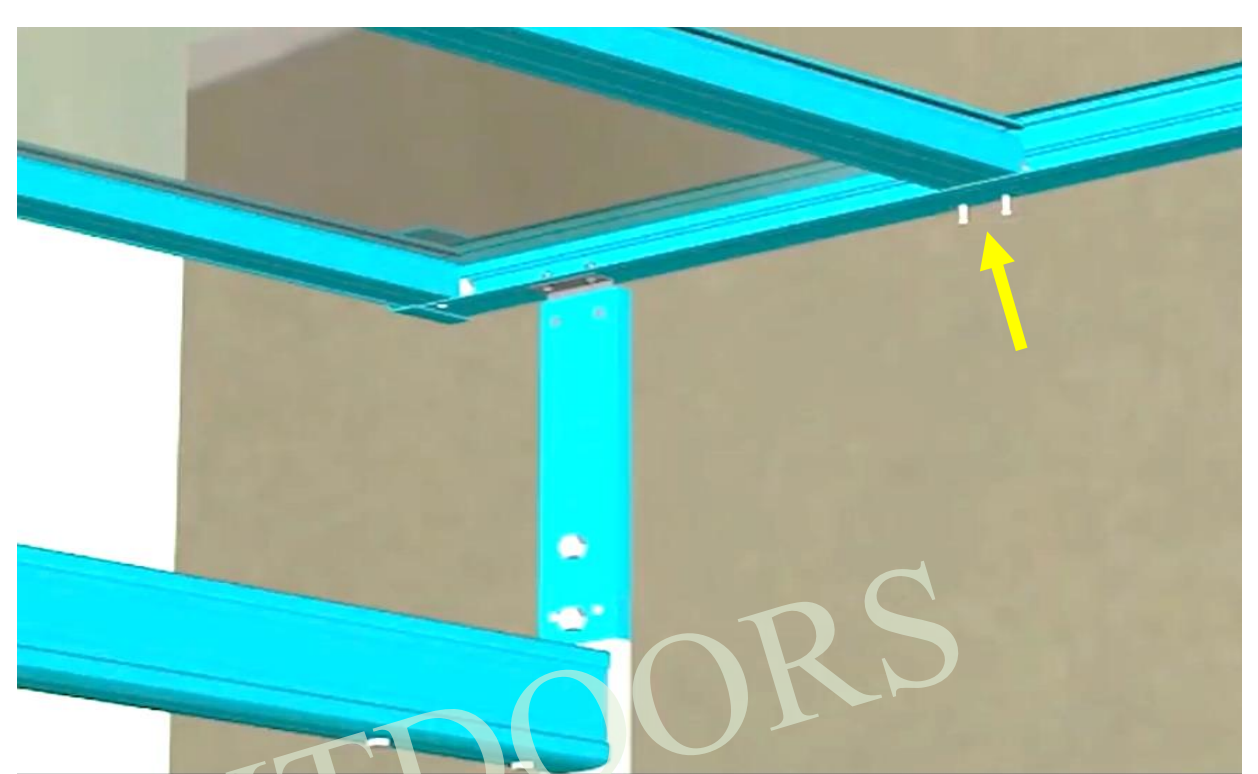
Install the Middle Frame/skeleton, sheet should be properly slid in the space under the rubber



Check every sheet like this to ensure it is placed properly in the space under the rubber



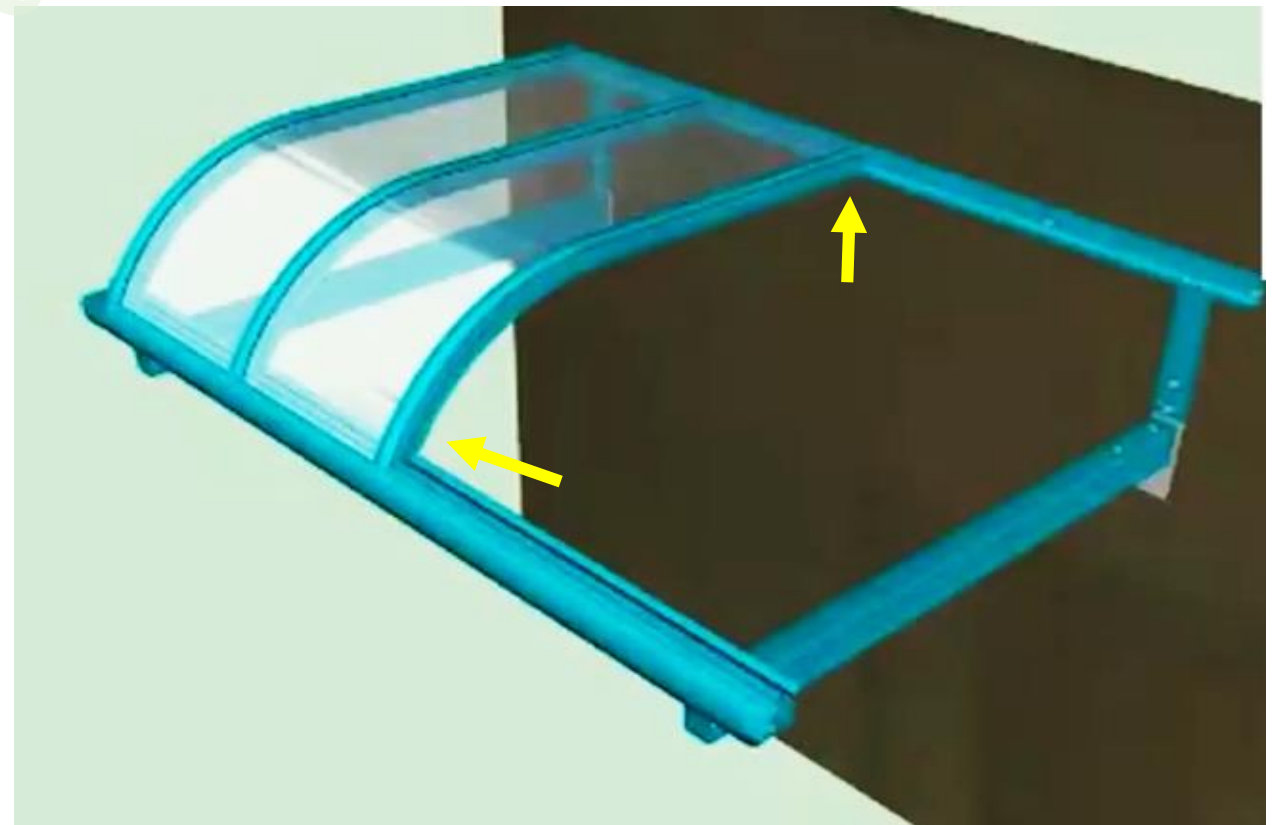
Secure the Middle frame with Self drill Screws x 2



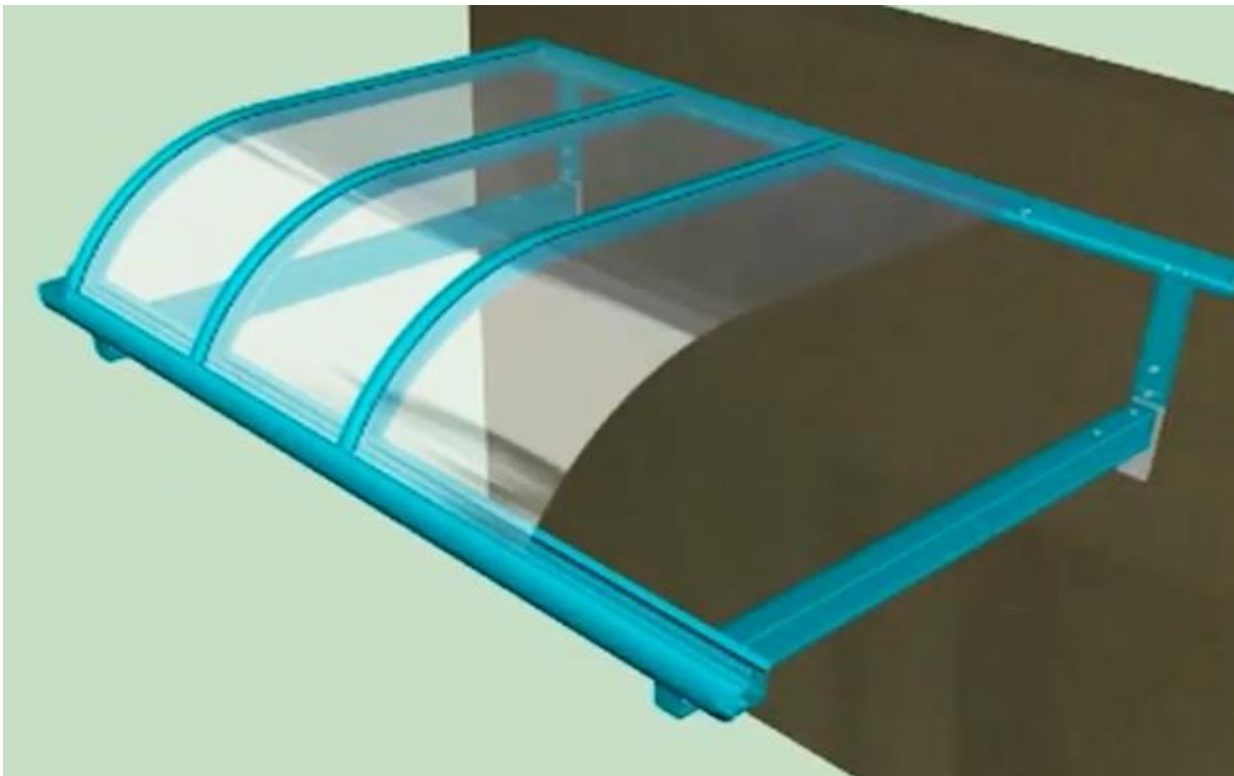
Secure the Middle frame with Self drill Screws x 2



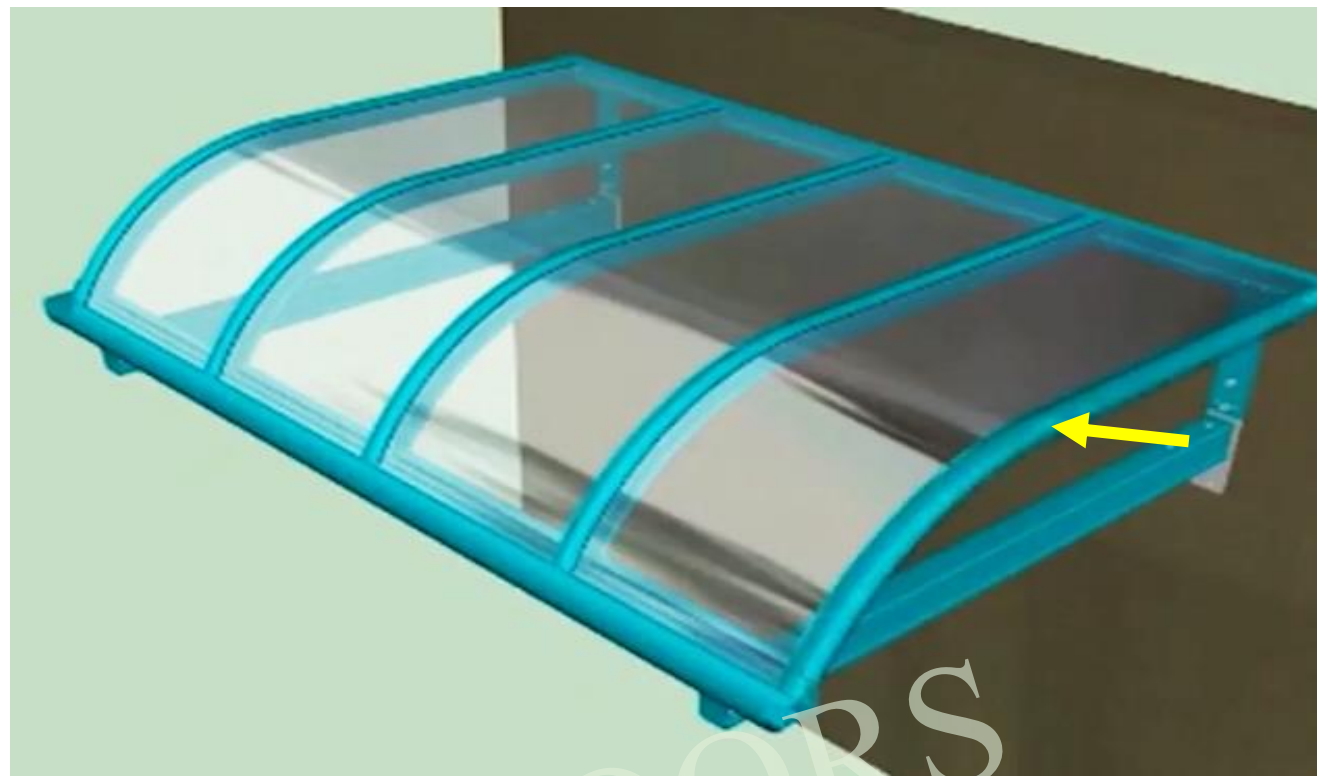
Now just repeat the process for rest of the sheets



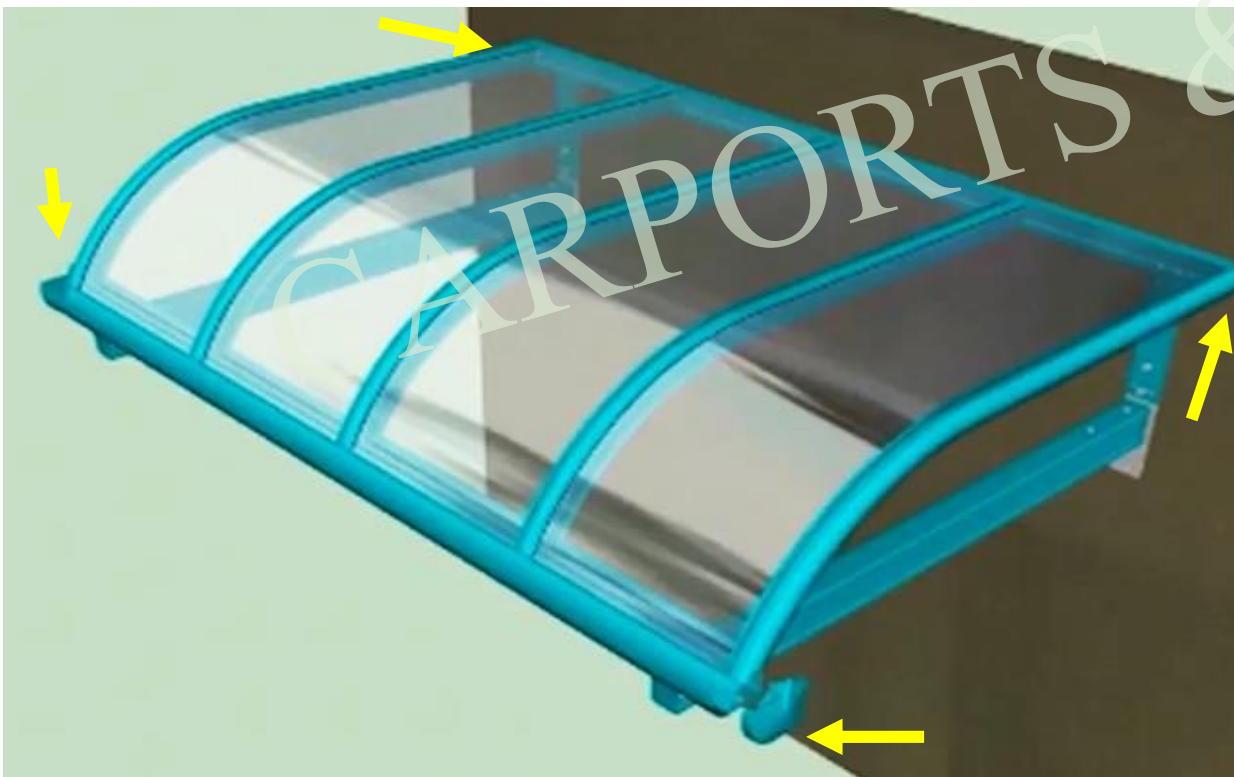
In the same way, secure the Middle Frame with 2 x Self Drill Screws on both sides



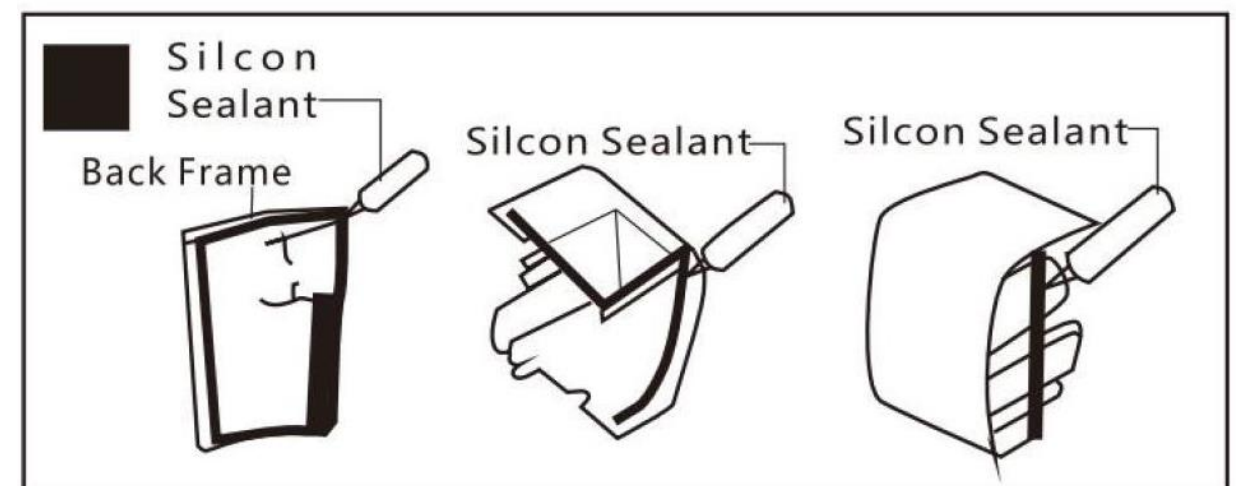
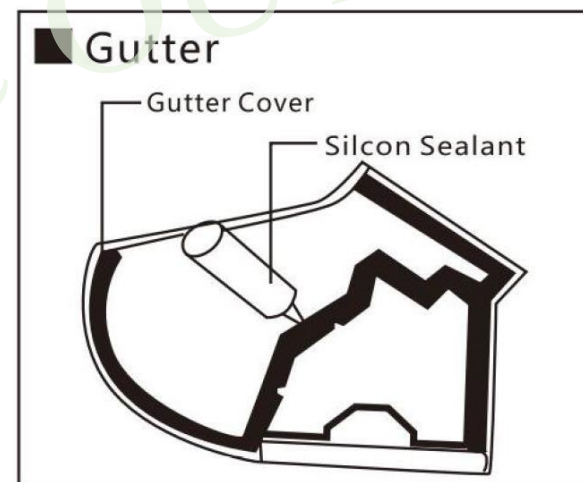
Repeat the process for the rest of the sheets & Middle Frame

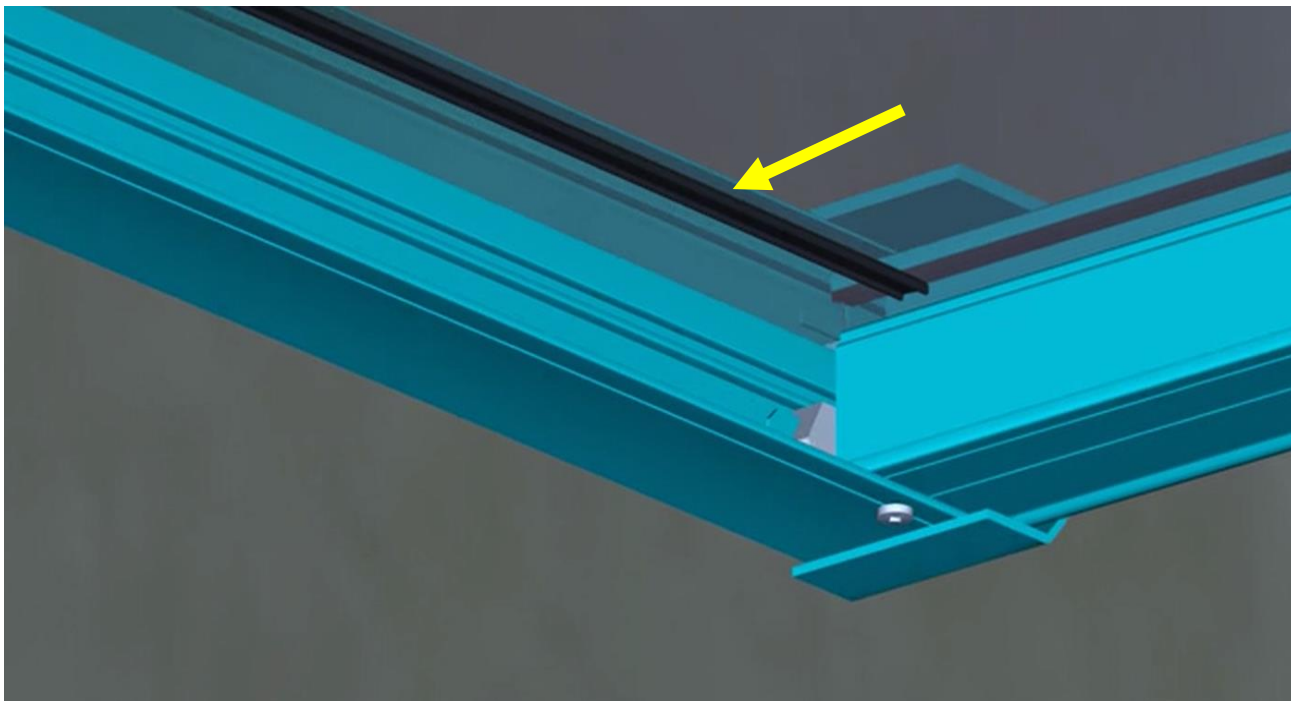


At the end, install the Side Frame on the other side to finish the roof line.



Install the Back Frame & Gutter Covers, use the weatherproof Silicon

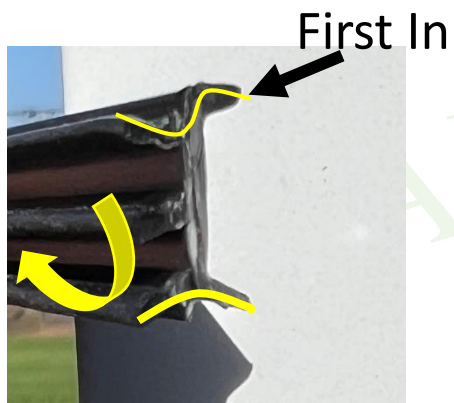




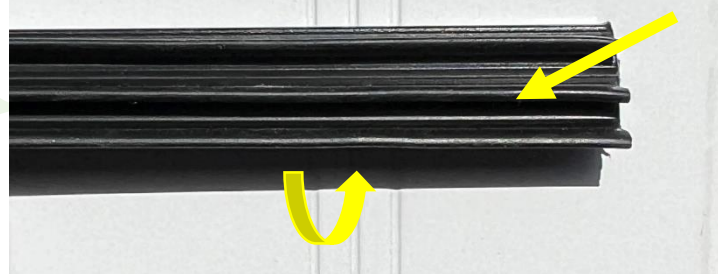
Install the rubber at the Back Frame under the sheet:
Measure & cut the rubber piece



Slide the rubber under the sheet, it takes a strong push to go in



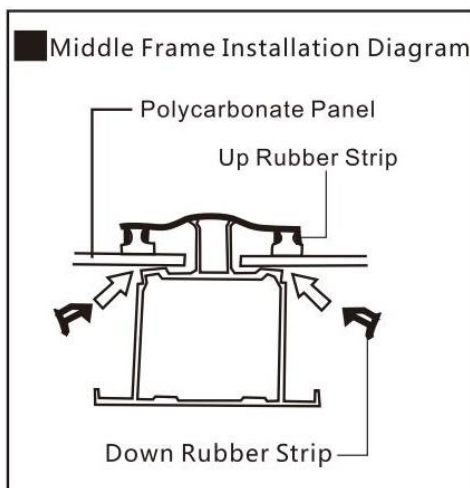
This side should touch the sheets



Lift & turn

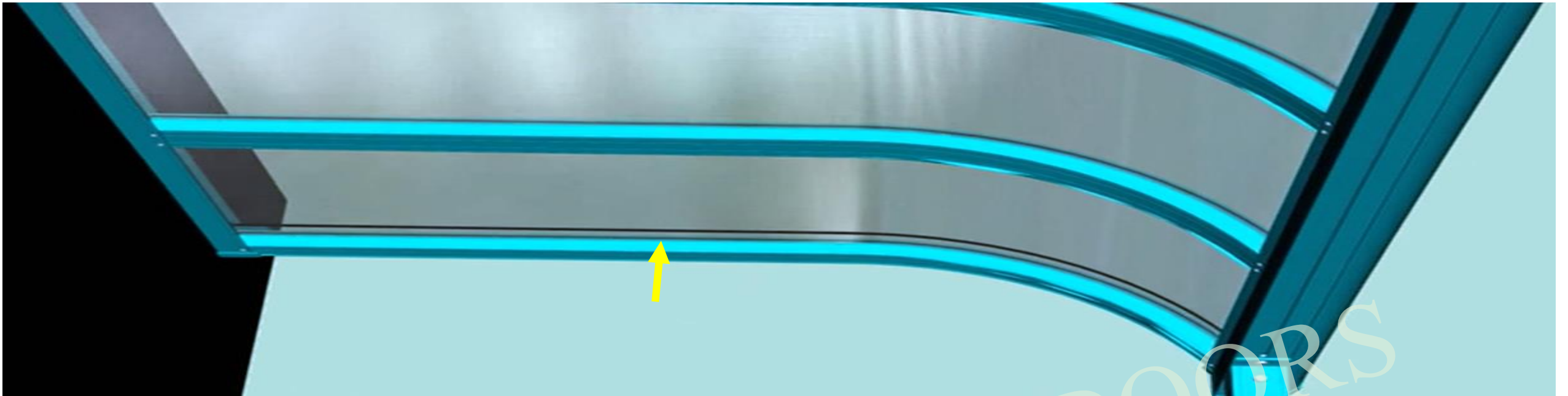


Use a round edged piece of wood or plastic to hit and push the rubber into the groove.

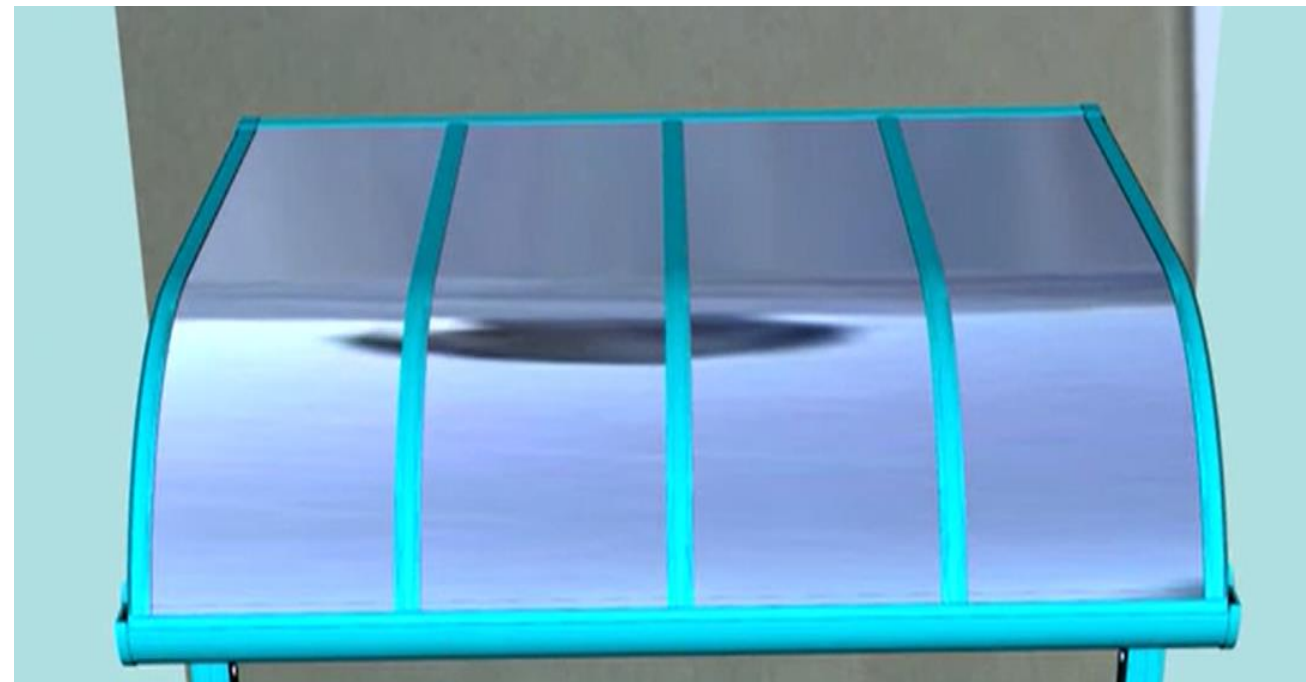
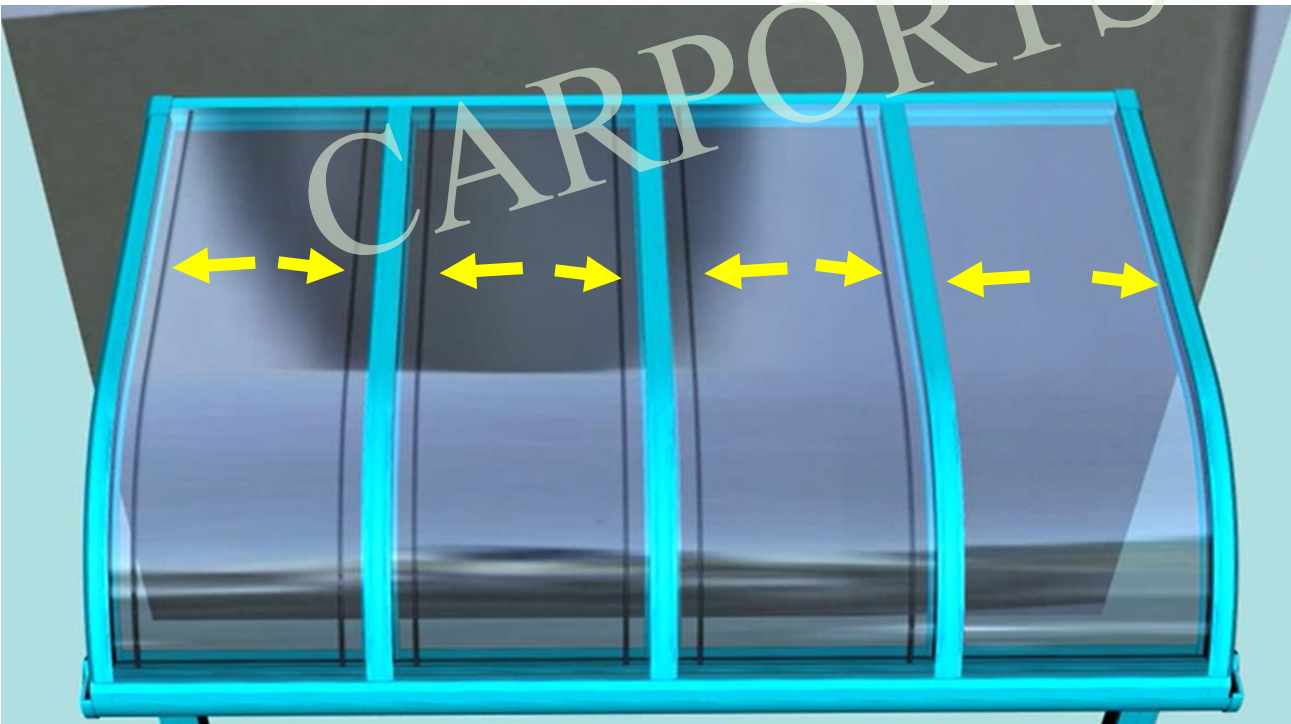


Press or Hit this side

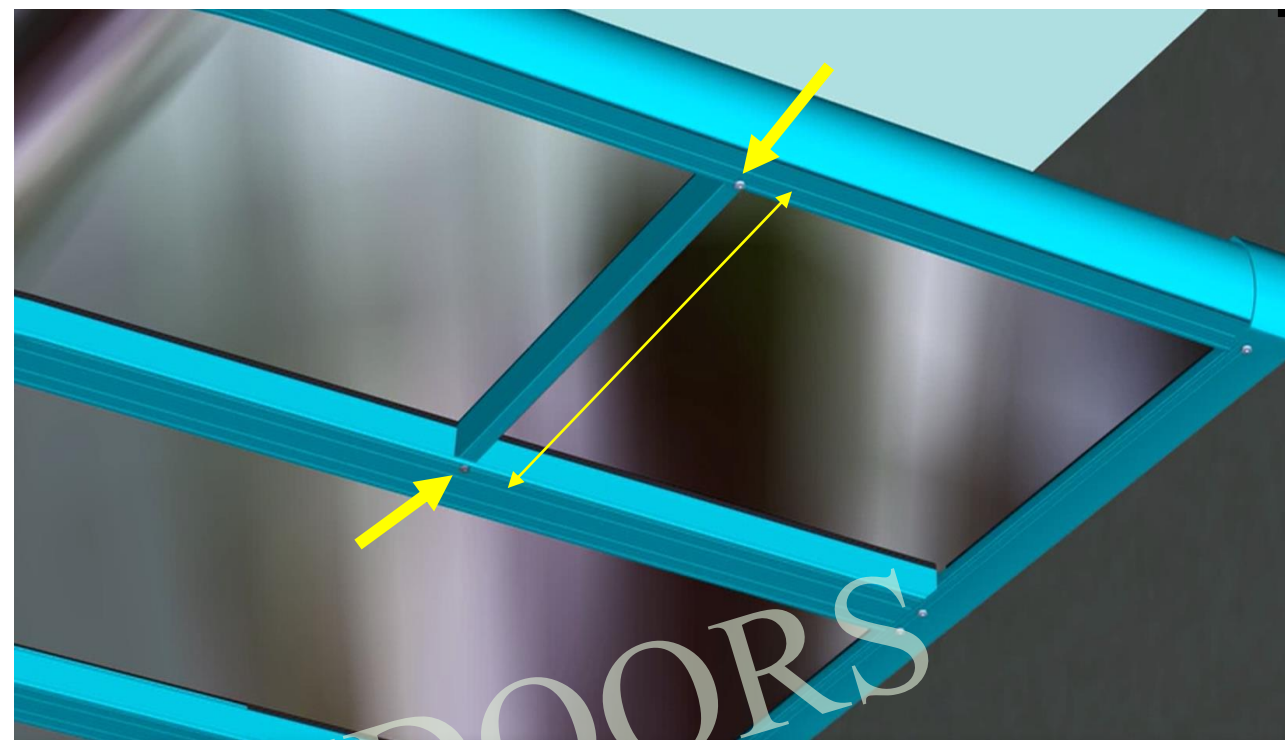
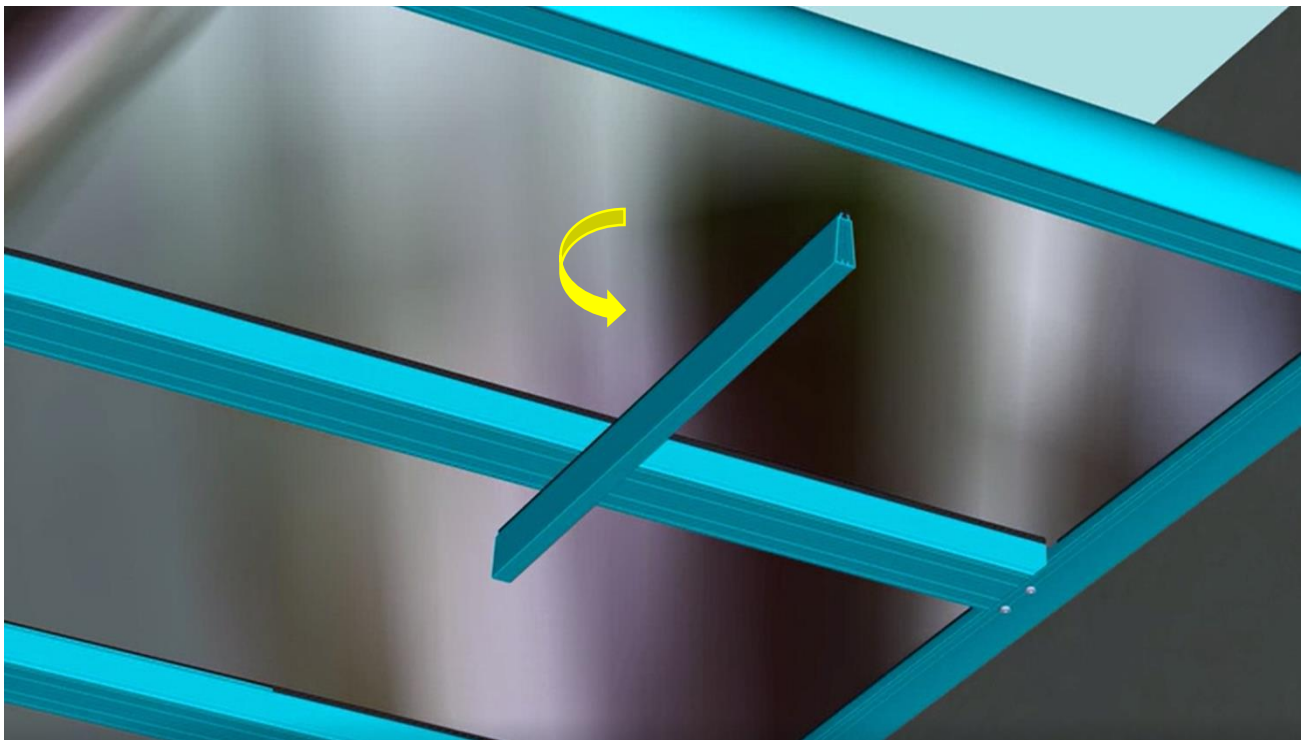
Finish Like This



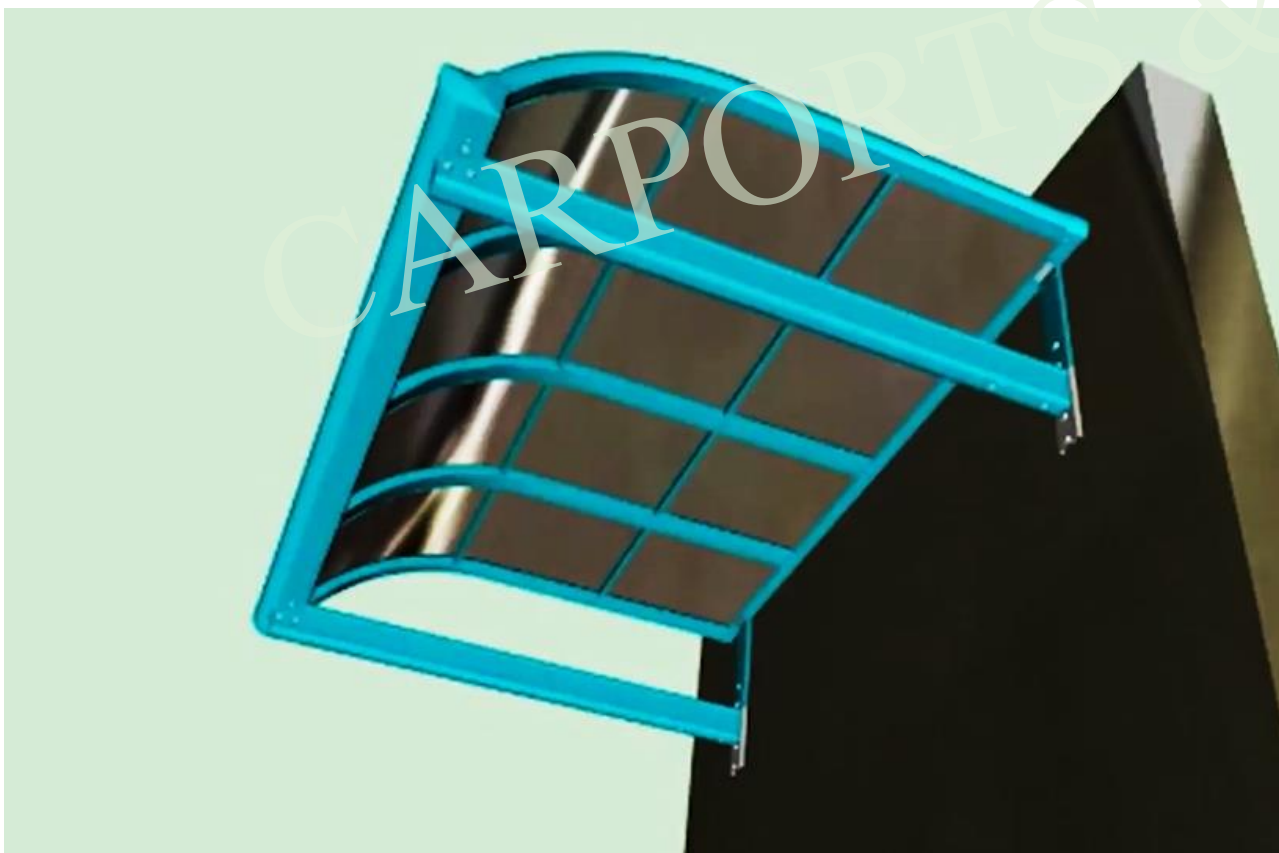
Measure & cut the rubber piece for Middle Frame and follow the same process



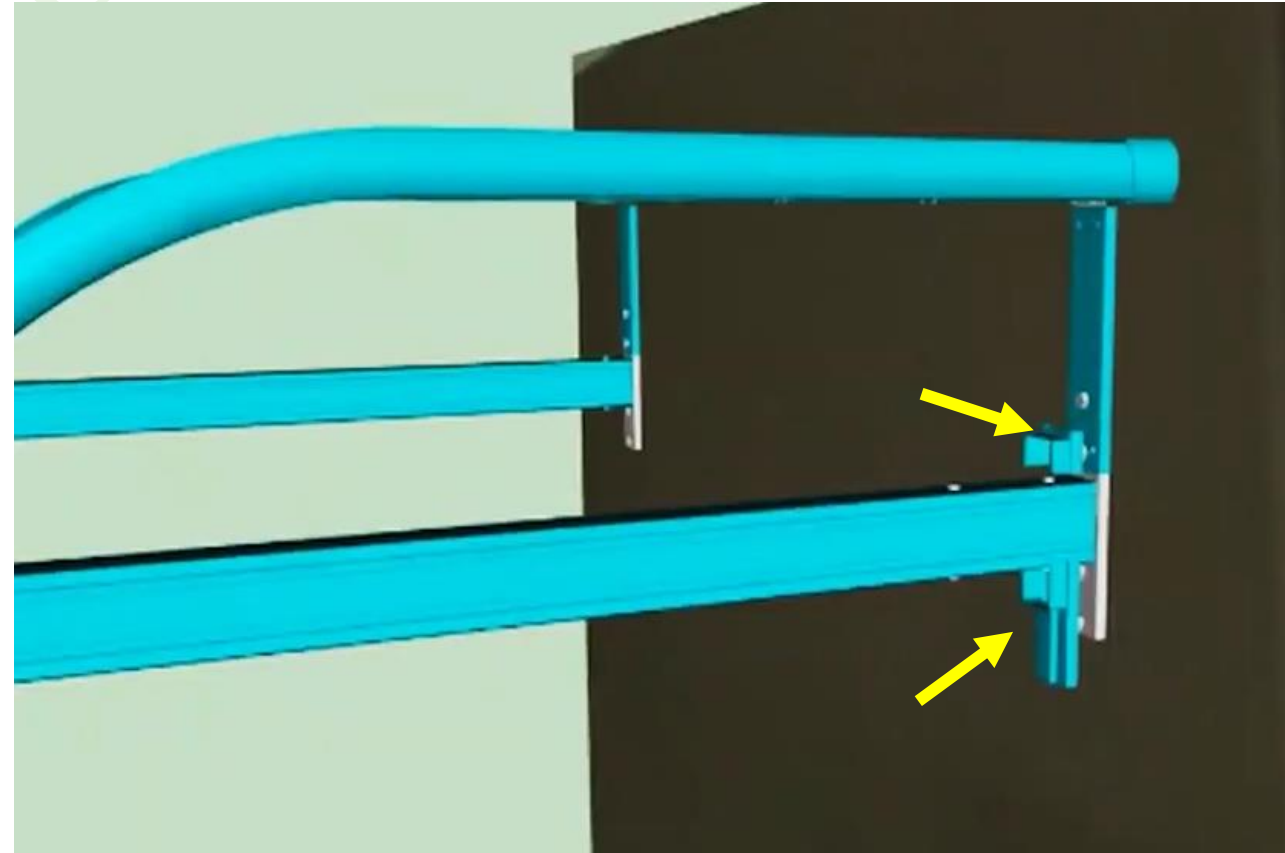
Once all the rubbers are installed underneath, all sheets should be secured & tightened.



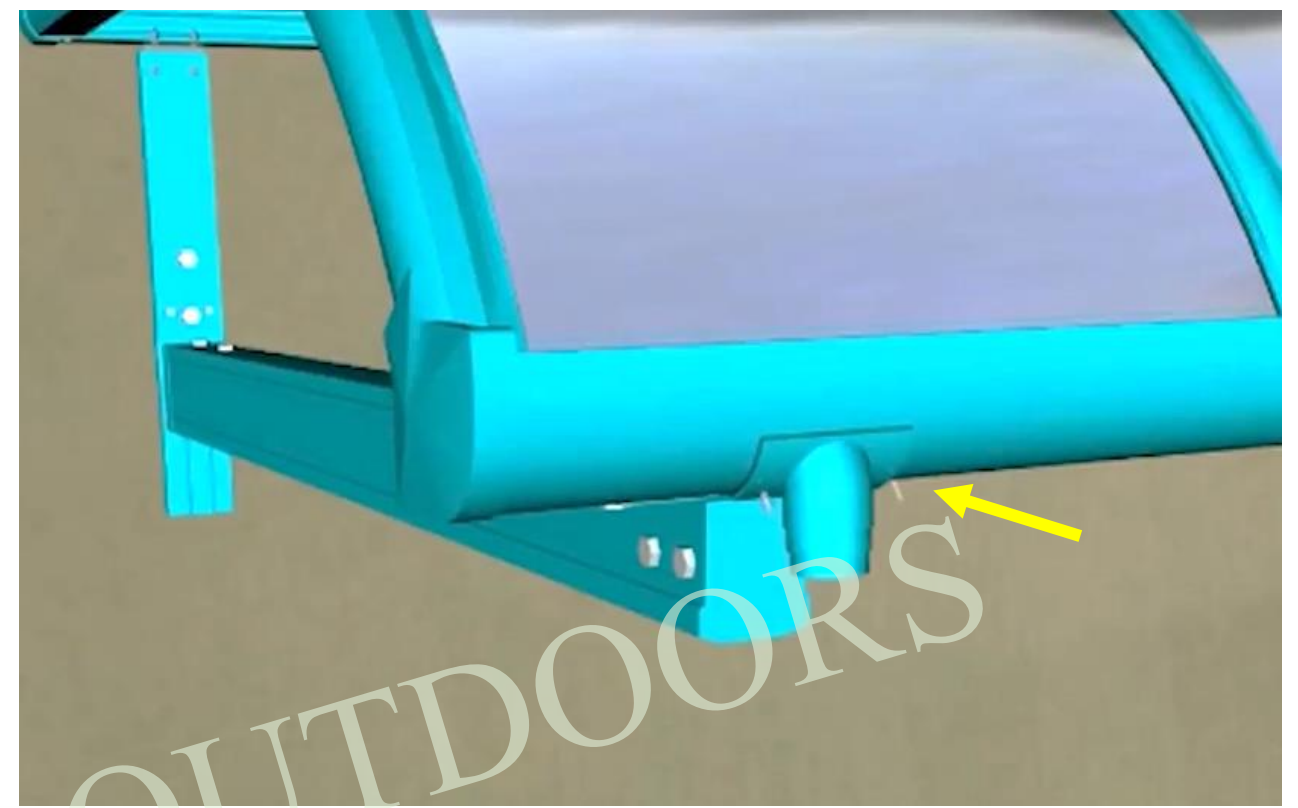
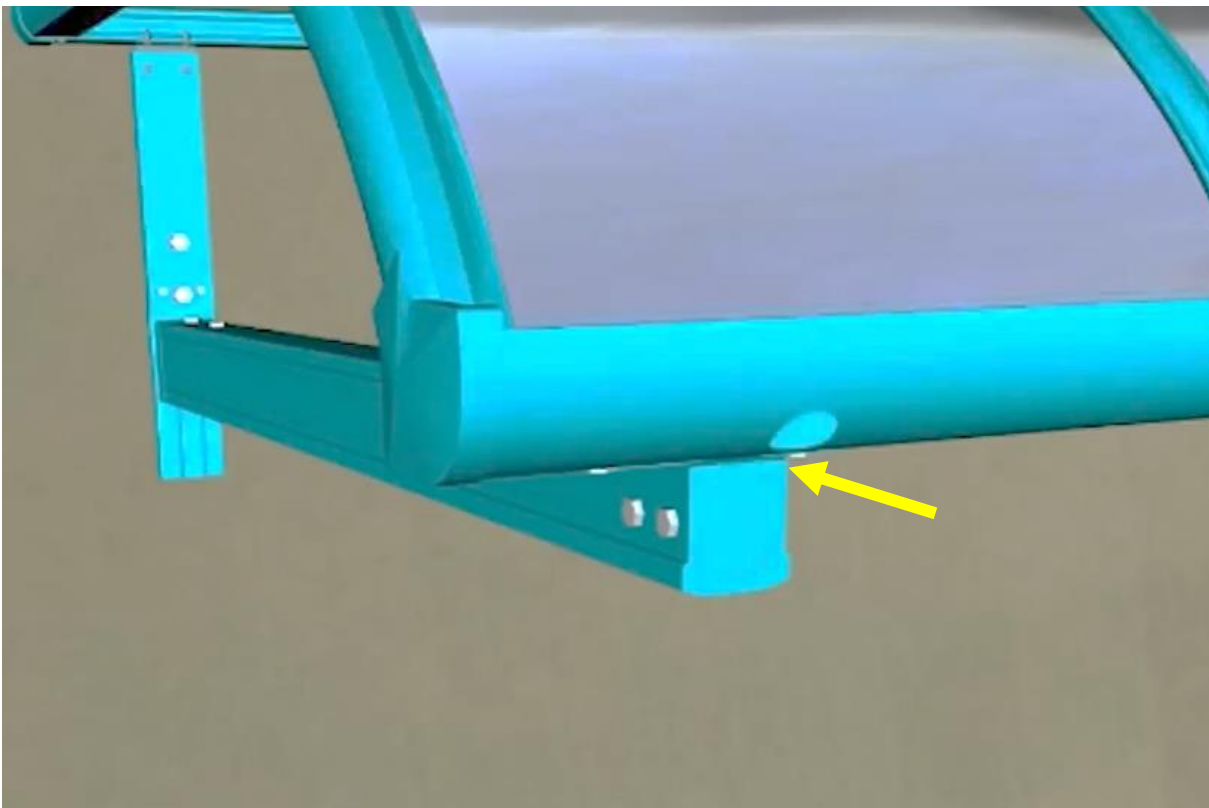
Let's add more strength to the frame and support to the sheets.
Install the Horizontal Support & fix with 2 x Self Drill Screws



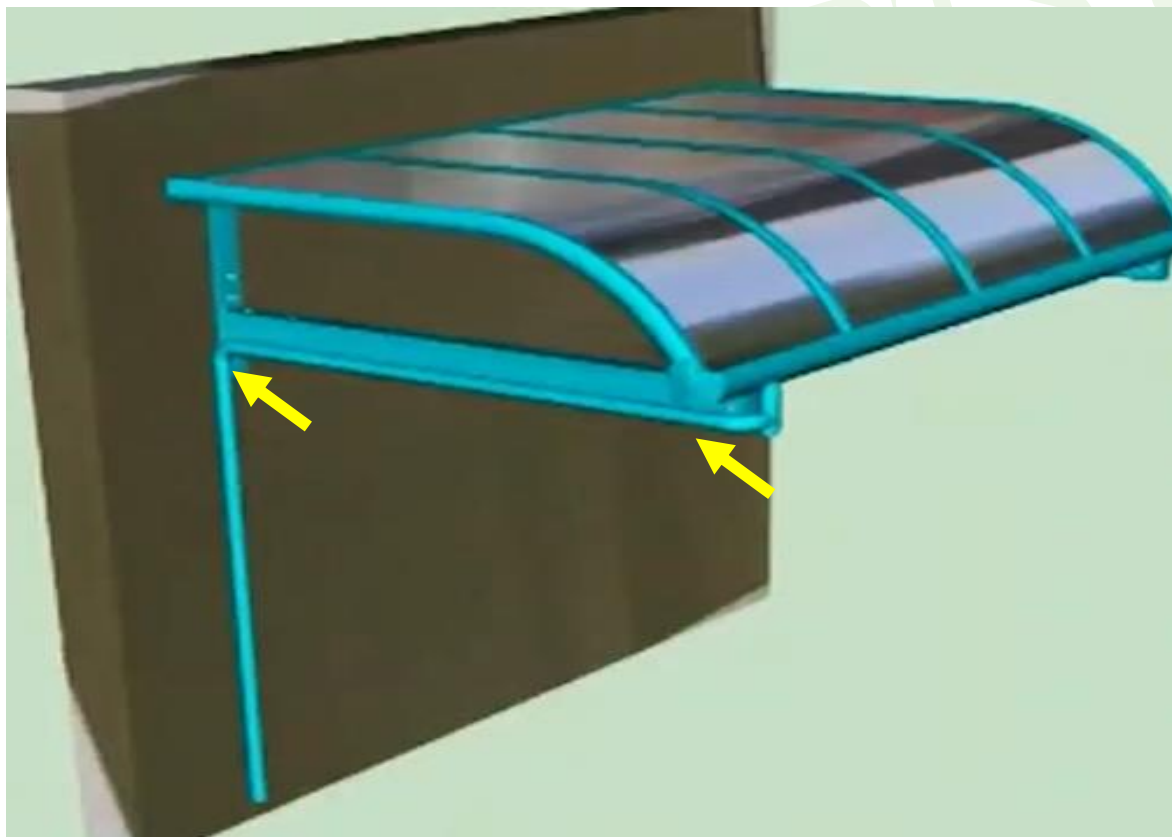
Install the Horizontal Support pieces, one row or two depending on the depth of the awning.



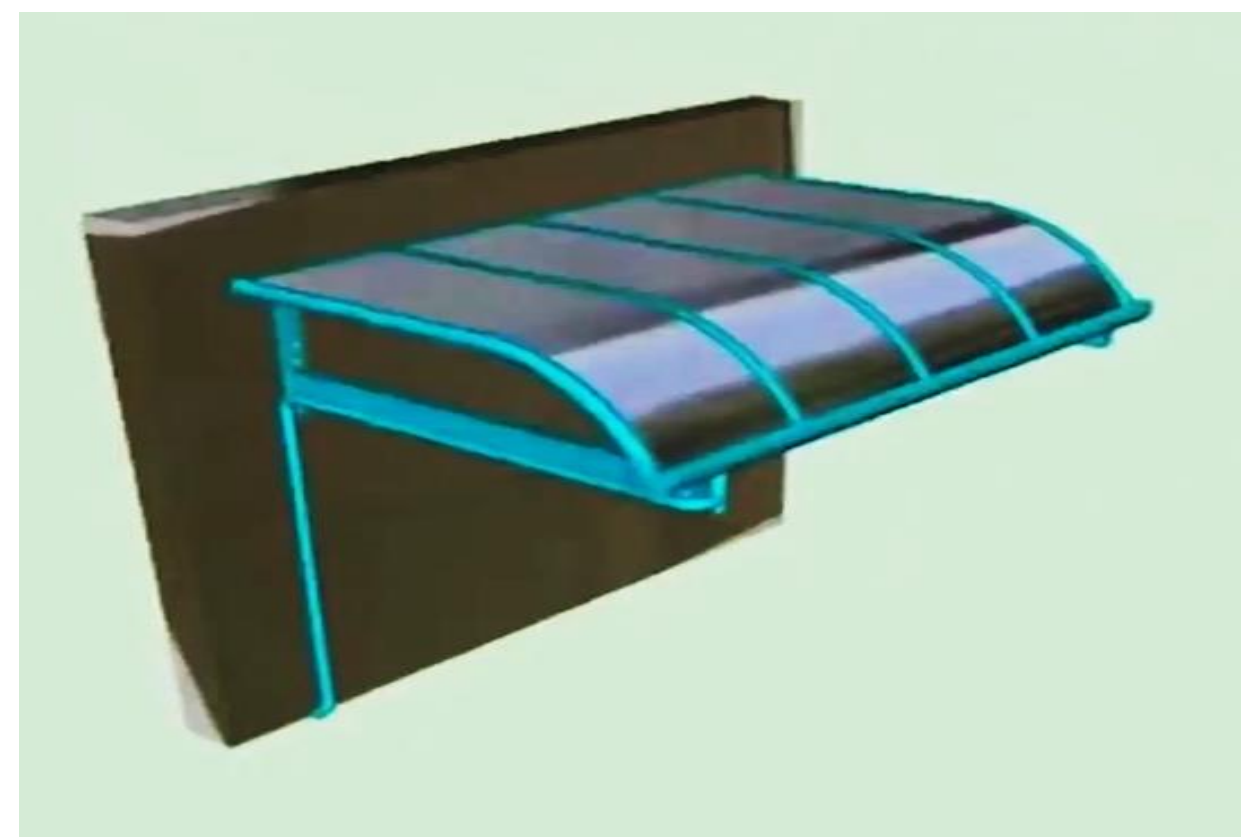
Add the bottom cover if its in 2 pieces otherwise its already done.



Drill the hole for Down Pipe on preferred side & Install the connector with silicon & Self Drill Screws



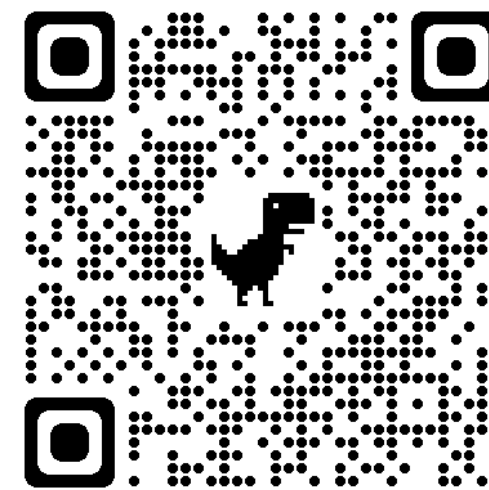
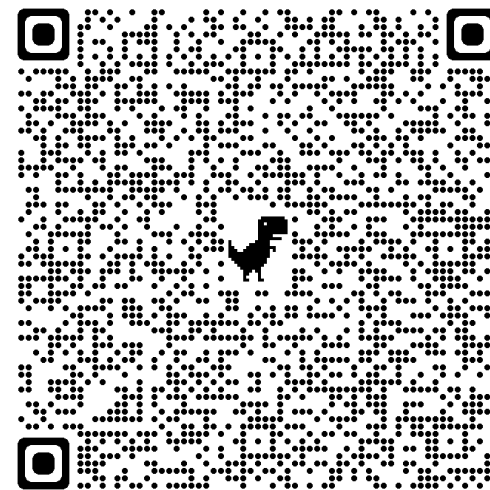
Use the elbows, down pipe & pipe holders with self drill screws to complete the installation



Important: Now, check & remove all the plastic protective film from the frame.

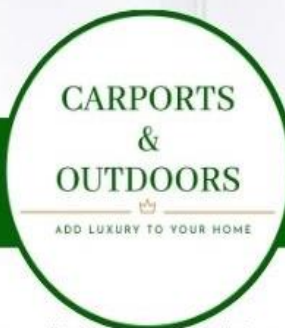
Congratulations, you did it !

Scan These QR Codes To Write a Review



Take some photos, share with us and write a product review on Google or Facebook to receive \$75 Cashback.

Aluminium Window Awnings - DIY



Disclaimer: Colour graphics are for illustrative purpose only, actual product may have different shade depending on the material used.



CARPORTS AND OUTDOORS

ADD LUXURY TO YOUR HOME